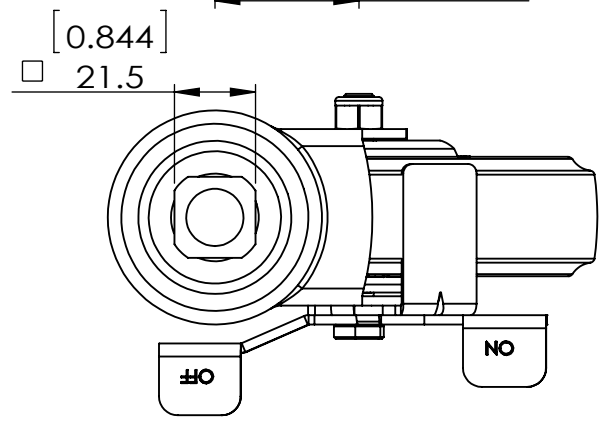


Durometer: Shore D 46 (+/-5)



Dimensions in mm [inch]

P&H Casters		Scale 1:2	Volume (mm ^ 3)	Drawn By: Hua	Date 2020/2/20
Description CASTER				Reviewed Andy	 FIRST ANGLE PROJECTION
Part Number Z20S554CLDEB REV A	Revision	Sheet 01	Date 2020/2/20		