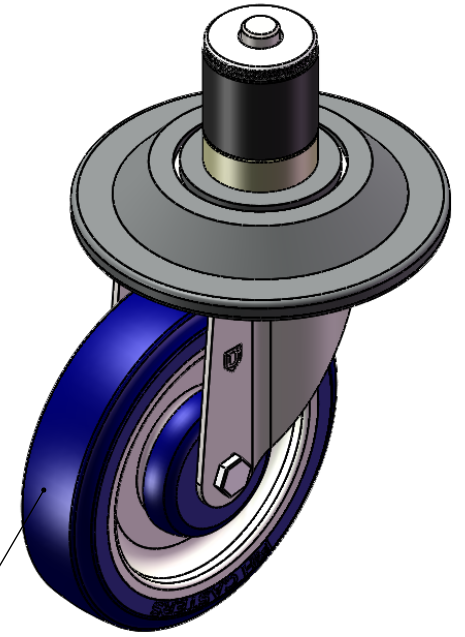
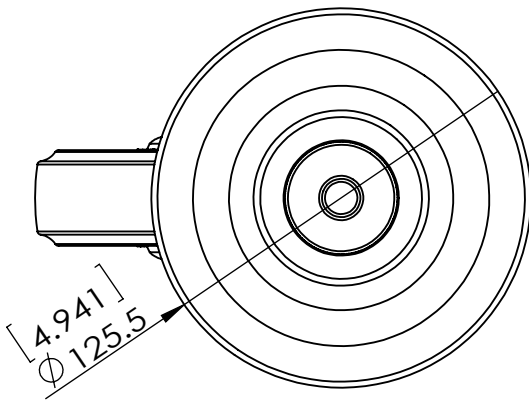


5/16-18 UNC



Durometer: Shore D 46 (+/-5)



Dimensions in mm [ inch ]

<b>P&amp;H Casters</b>		Scale <b>1:2.5</b>	Volume ( mm ^ 3 )	Drawn By: Hua	Date 2020/1/13
Description CASTER				Reviewed Andy	 <small>FIRST ANGLE PROJECTION</small>
Part Number Z20X654CLDEQ REV A	Revision	Sheet <b>01</b>	Date 2020/1/13		