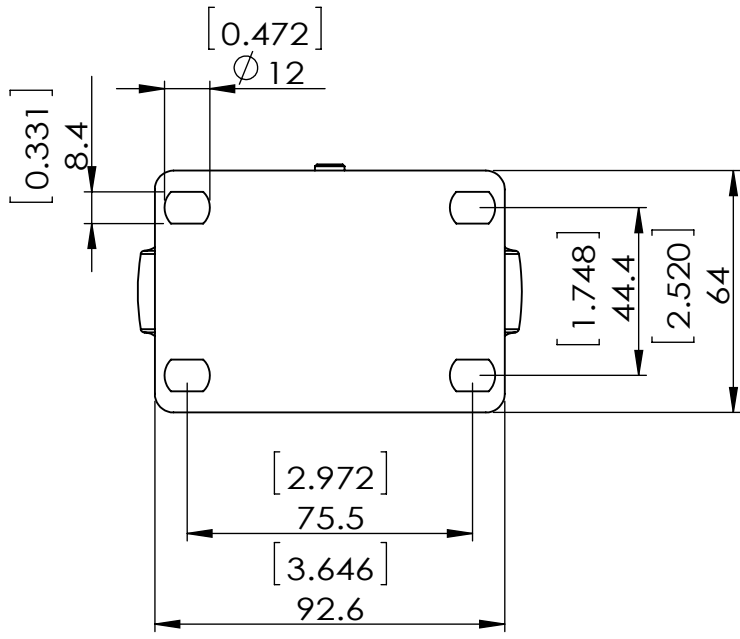
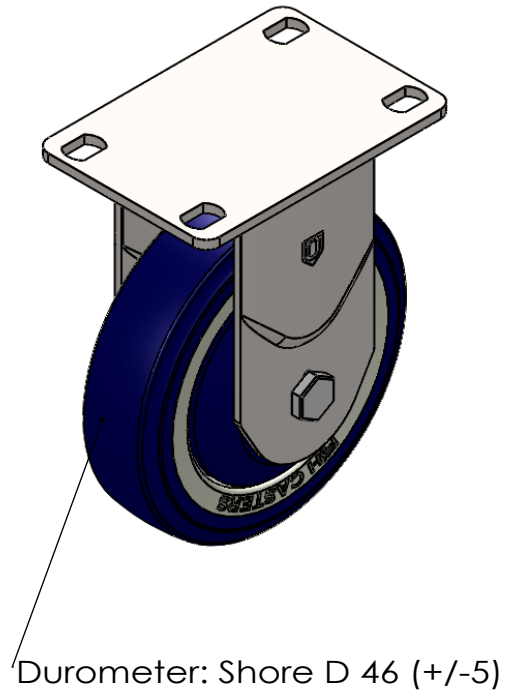
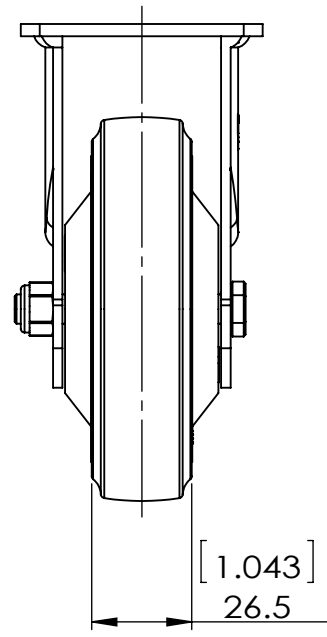
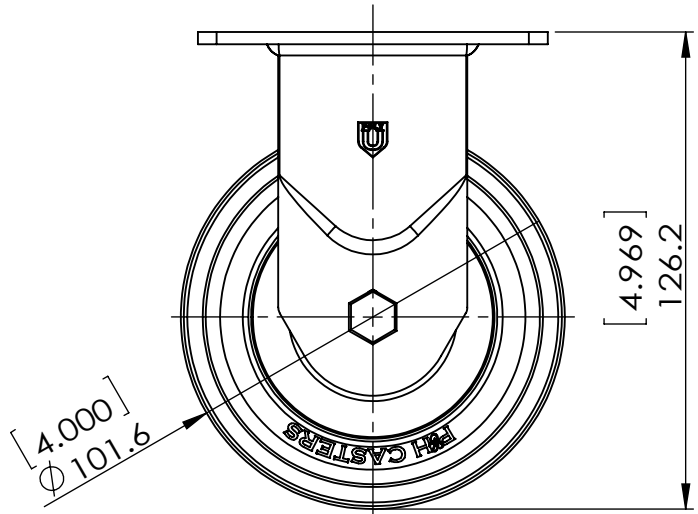


REV NO.	Revision Note	Date	Signature



Dimensions in mm [inch]

P&H Casters	Scale 1:2	Volume (mm ^ 3)	Drawn By: Ronny	Date 2019/5/27
Description CASTER			P&H Approval	
Part Number Z22P144CLGE	Revision REV A	Sheet 01	Date	 FIRST ANGLE PROJECTION