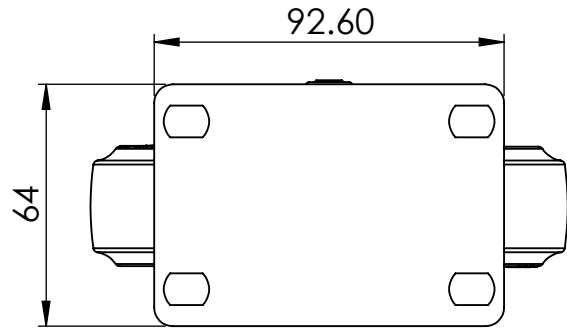
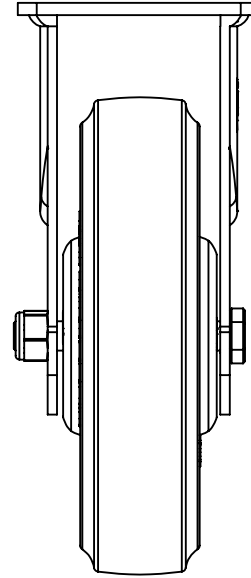
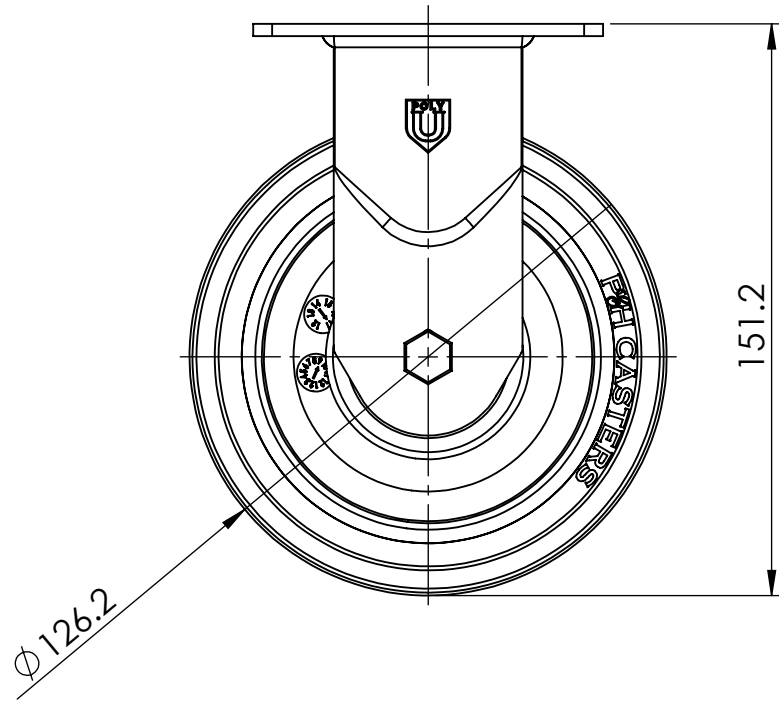


REV NO.	Revision Note	Date	Signature



<b>P&amp;H Casters</b>		Scale <b>1:2</b>	Volume ( mm <sup>3</sup> )	Drawn By: Hua	Date 1/21/2019
Description CASTER				P&H Approval	
Part Number Z22P154NEDE	Revision REV A	Sheet <b>01</b>	Date	 FIRST ANGLE PROJECTION	

THE INFORMATION CONTAINED IN THIS DRAWING IS CONFIDENTIAL AND SOLE PROPERTY OF P&H CASTERS CO. ANY REPRODUCTION IN PART OR AS A WHOLE WITHOUT THE WRITTEN PERMISSION OF P&H CASTERS IS PROHIBITED.