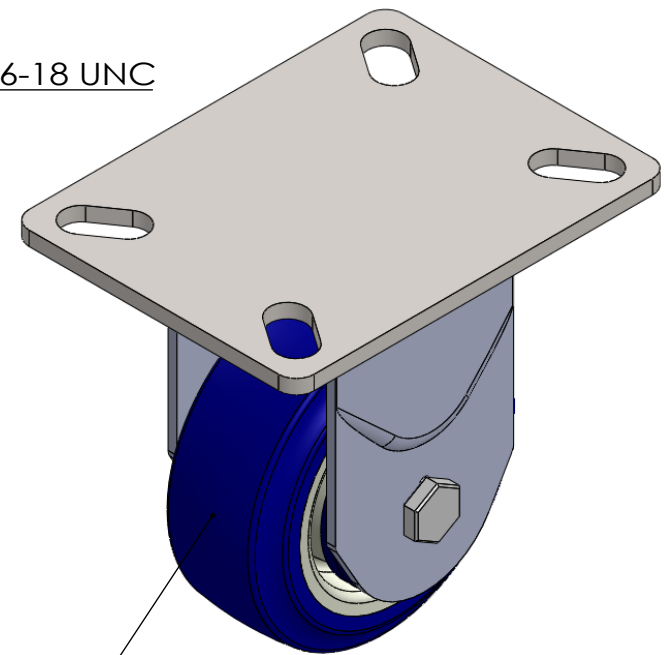
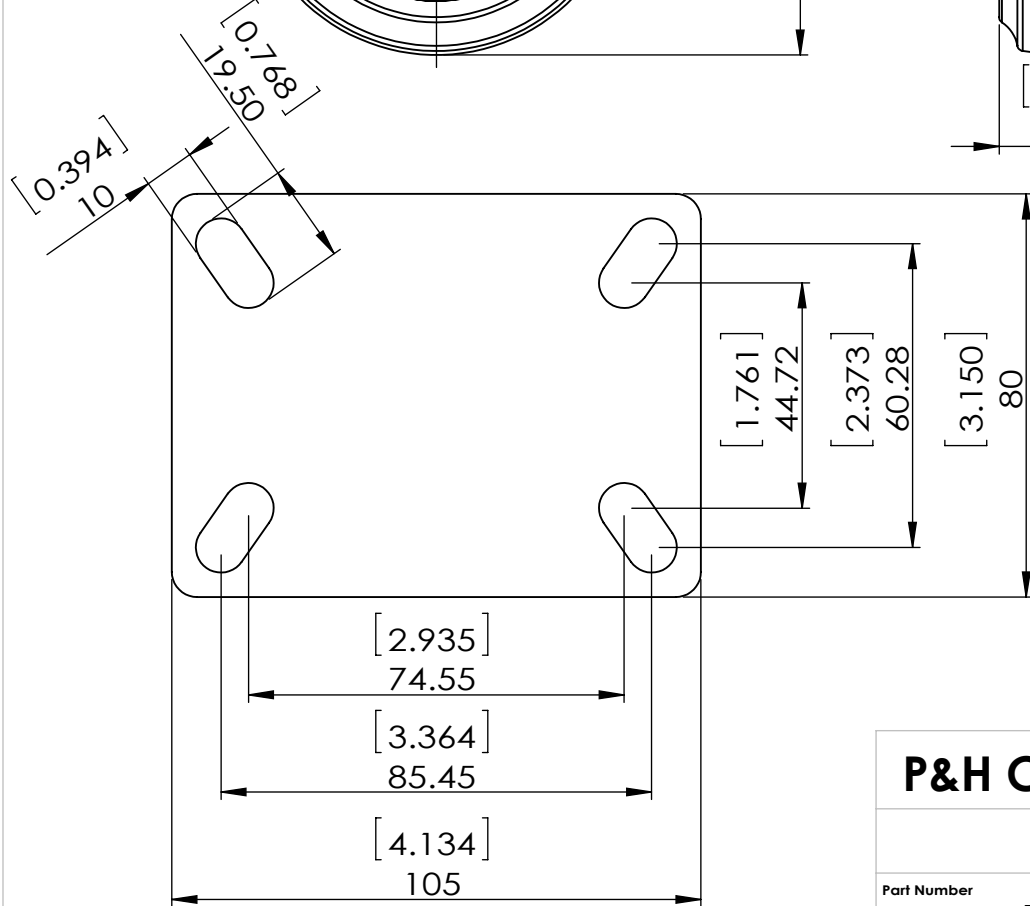


5/16-18 UNC



Durometer: Shore D 46 (+/-5)



Dimensions in mm [ inch ]

|                        |          |       |              |                   |           |                        |
|------------------------|----------|-------|--------------|-------------------|-----------|------------------------|
| <b>P&amp;H Casters</b> |          | Scale | <b>1:1.5</b> | Volume ( mm ^ 3 ) | Drawn By: | Date                   |
| Description            |          | WHEEL |              | Reviewed          | Hua       | 2019/6/27              |
| Part Number            | Revision | Sheet | <b>01</b>    | Date              | Andy      | 2019/6/27              |
| Z22P234CLDE REV A      |          |       |              |                   |           | FIRST ANGLE PROJECTION |