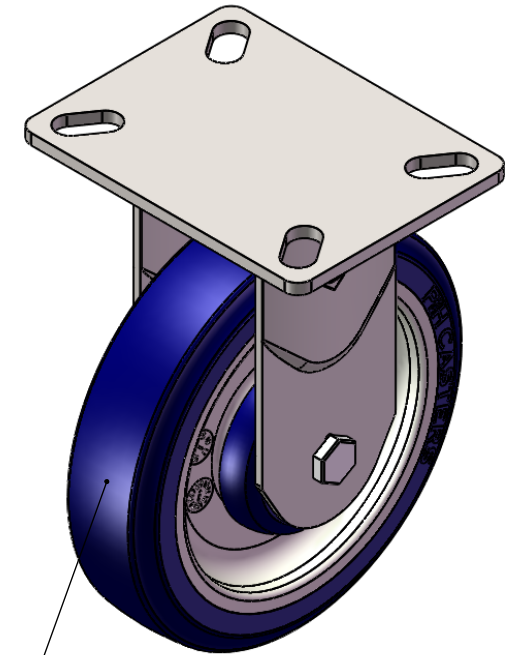


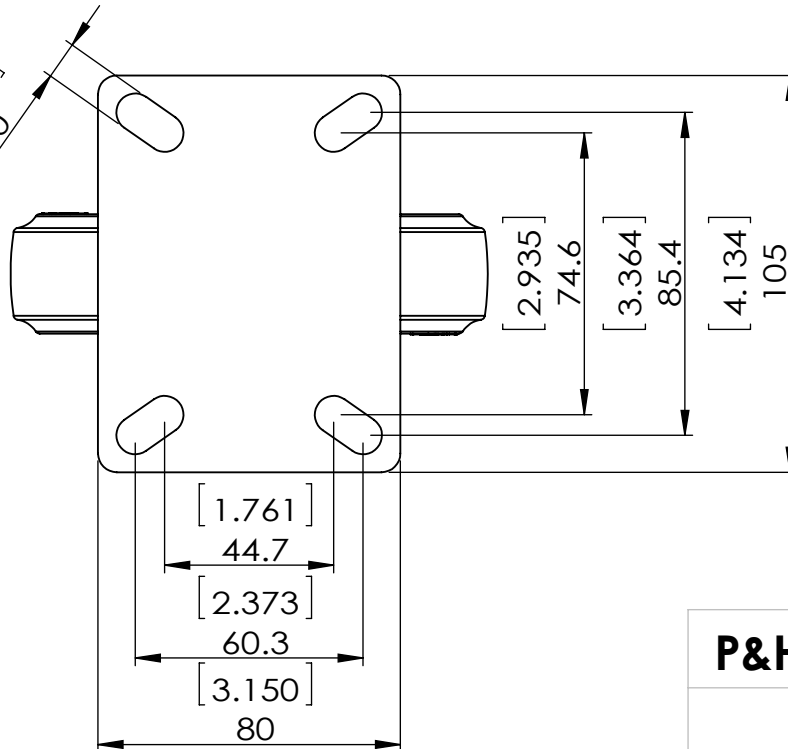
5/16-18 UNC



Durometer: Shore D 46 (+/-5)

[4.970]  
Ø 126.2

[0.394]  
10



Dimensions in mm [ inch ]

<b>P&amp;H Casters</b>		Scale	<b>1:2</b>	Volume ( mm <sup>3</sup> )	Drawn By:	Date
Description		CASTER			Hua	2020/1/9
Part Number	Revision	Sheet	<b>01</b>	Date	Andy	 <small>FIRST ANGLE PROJECTION</small>
Z22P254CLDEK	REV A			2020/1/9		