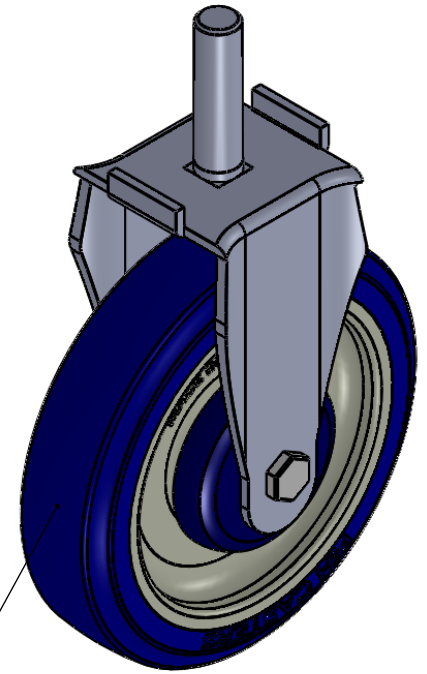


5/16-18 UNC



Durometer: Shore D 46 (+/-5)

Dimensions in mm [inch]

| | | | | | |
|----------------------------------|----------|---------------------|------------------------------|------------------|--|
| P&H Casters | | Scale 1:2 | Volume (mm [^] 3) | Drawn By: Hua | Date 2019/10/22 |
| Description CASTER | | | | Reviewed Andy |  <small>FIRST ANGLE PROJECTION</small> |
| Part Number Z22T254CLDE REV A | Revision | Sheet 01 | Date 2019/10/22 | | |