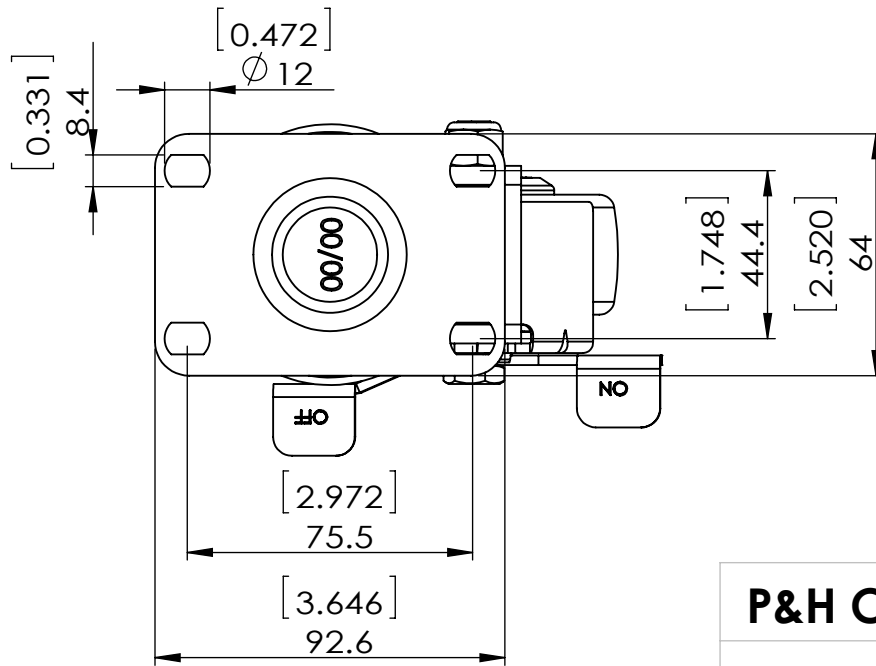


Durometer: Shore A 70 (+/-5)



Dimensions in mm [inch]

P&H Casters		Scale	1:2	Volume (mm ^ 3)	Drawn By:	Date
Description		CASTER			Hua	2020/2/4
Part Number	Revision	Sheet	01	Date	Andy	 FIRST ANGLE PROJECTION
Z26P134NEKIB	REV A			2020/2/4		