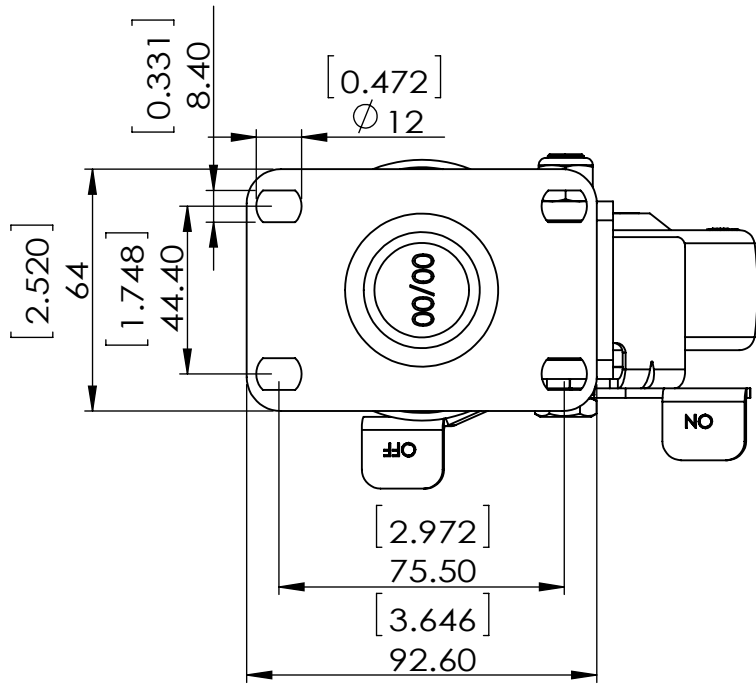


Durometer: Shore D 46 (+/-5)



Dimensions in mm [inch]

| | | | | |
|-----------------------------------|---------------------|----------------------------|--------------------|--|
| P&H Casters | Scale 1:2 | Volume (mm ³) | Drawn By: Hua | Date 2019/10/24 |
| Description CASTER | | | Reviewed Andy |  <small>FIRST ANGLE PROJECTION</small> |
| Part Number Z26P144CTKIB REV A | Revision | Sheet 01 | Date 2019/10/24 | |