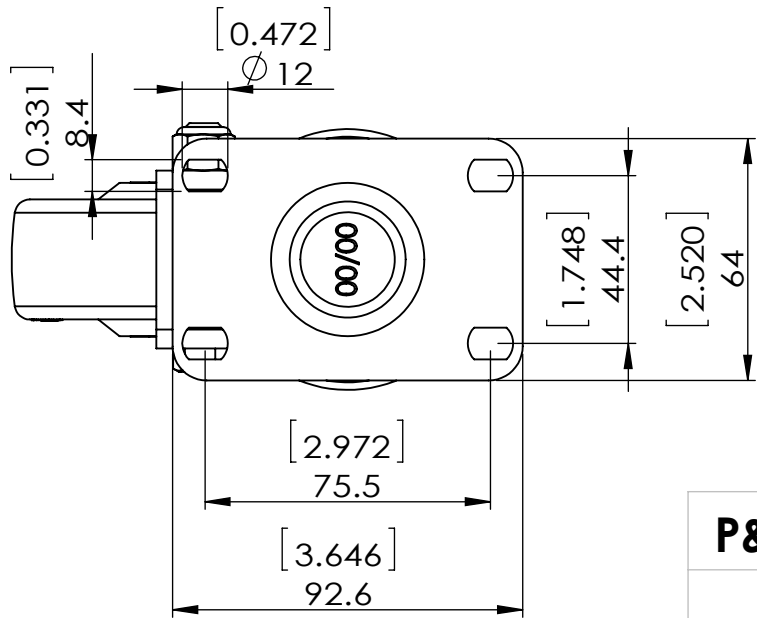
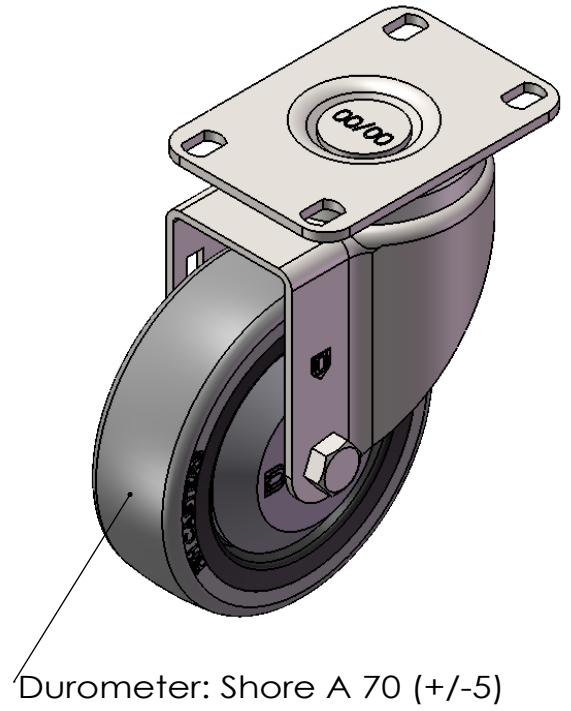
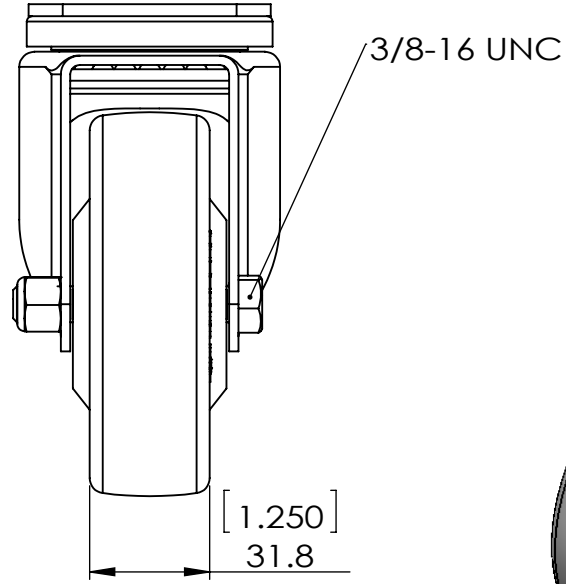
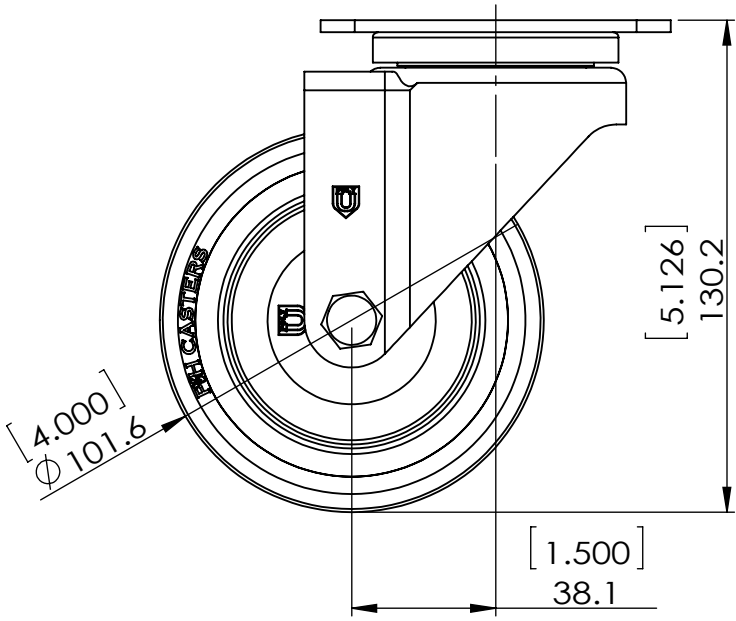


| REV NO. | Revision Note | Signature | Date | Checked | Date |
|---------|---------------|-----------|------|---------|------|
| | | | | | |



Dimensions in mm [inch]

| | | | | | |
|----------------------------------|----------|---------------------|----------------------------|------------------|-----------------------------------------------------------------------------------------------------------------|
| P&H Casters | | Scale 1:2 | Volume (mm ³) | Drawn By: Hua | Date 2019/4/10 |
| Description CASTER | | | | Reviewed Andy |  FIRST ANGLE PROJECTION |
| Part Number Z26P144NEKI REV A | Revision | Sheet 01 | Date 2019/4/10 | | |