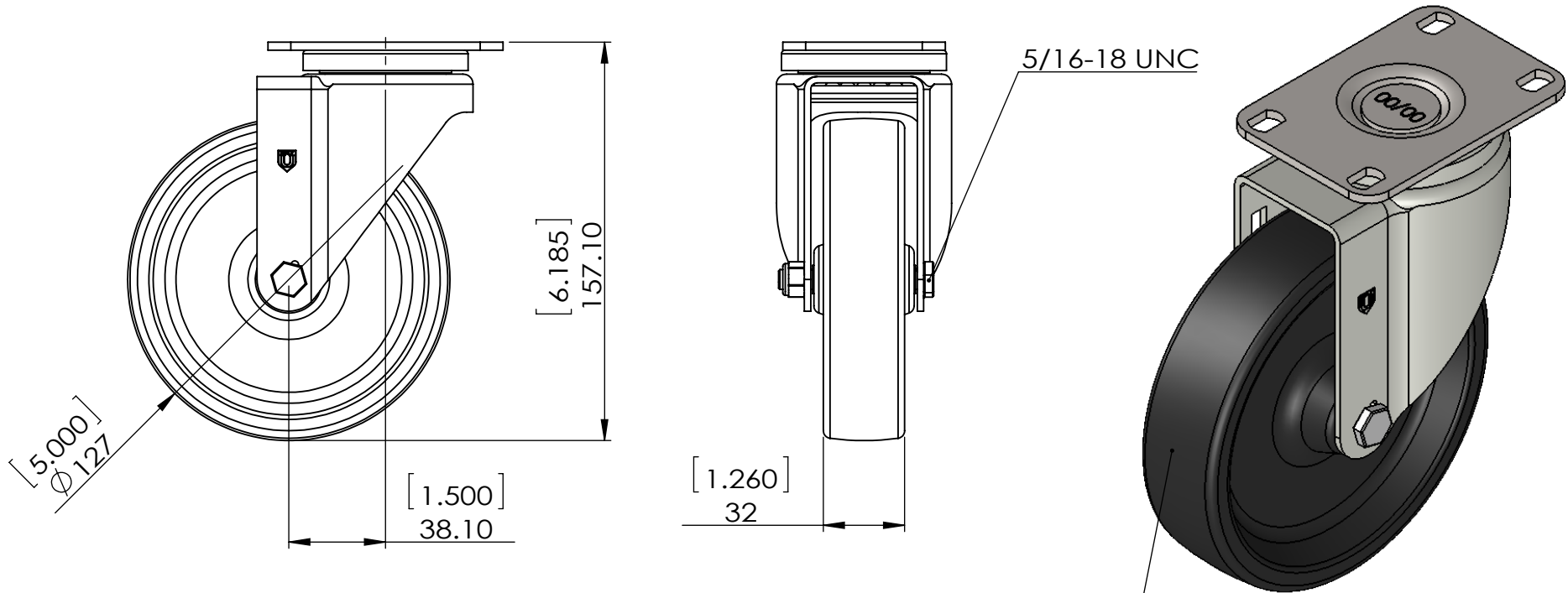


REV NO.	Revision Note	Signature	Date	Checked	Date



Durometer: Shore D 46 (+/-5)

Dimensions in mm [inch]

P&H Casters		Scale 1:2.5	Volume (mm ^ 3)	Drawn By: Hua	Date 2019/4/4
Description CASTER			Reviewed Andy	 <small>FIRST ANGLE PROJECTION</small>	
Part Number Z26P154ABCE REV A	Revision	Sheet 01	Date 2019/4/4		