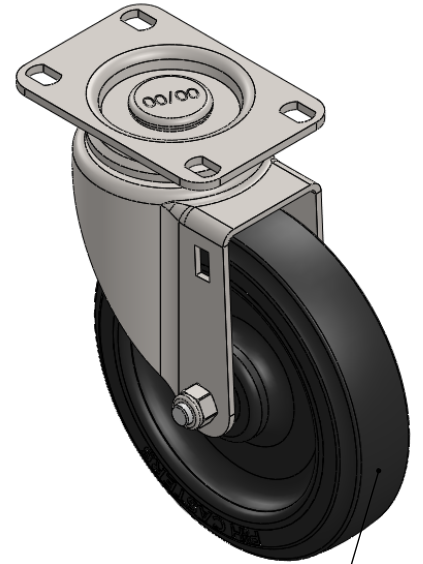
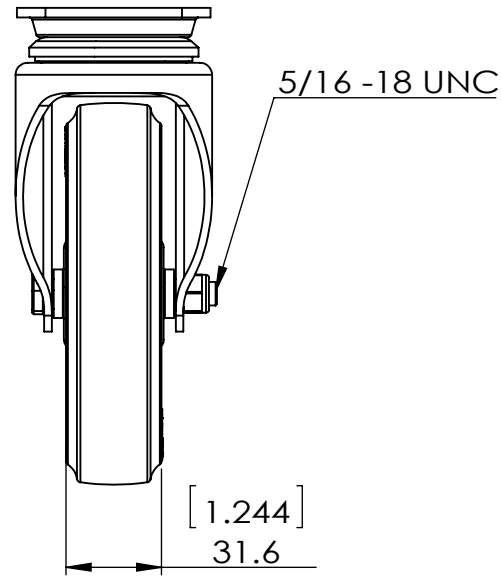
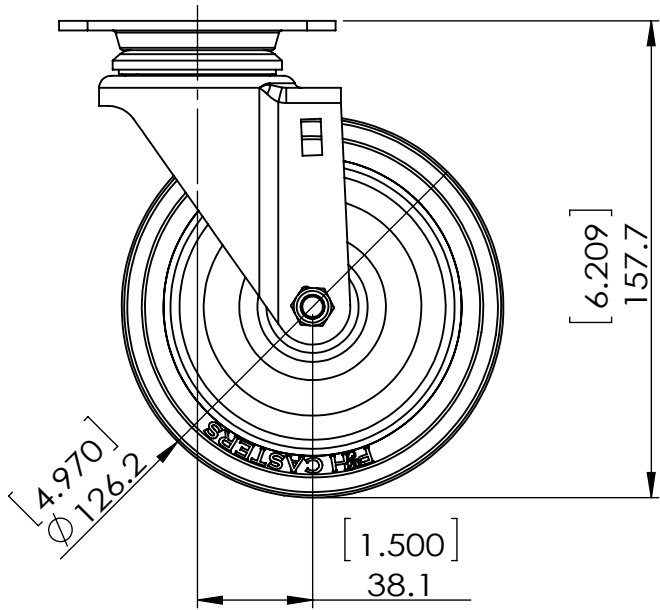
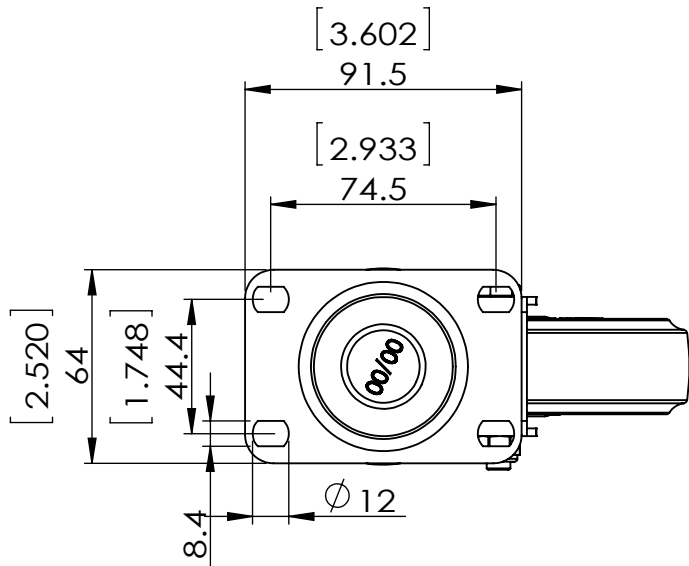


REV NO.	Revision Note	Signature	Date	Checked	Date



Durometer: Shore D 46 (+/-5)



Dimensions in mm [inch]

P&H Casters		Scale 1:2.5	Volume (mm ³)	Drawn By: Hua	Date 2019/9/3
Description CASTER			Reviewed Andy		
Part Number Z26P154CBCE REV A	Revision	Sheet 01	Date 2019/9/3		