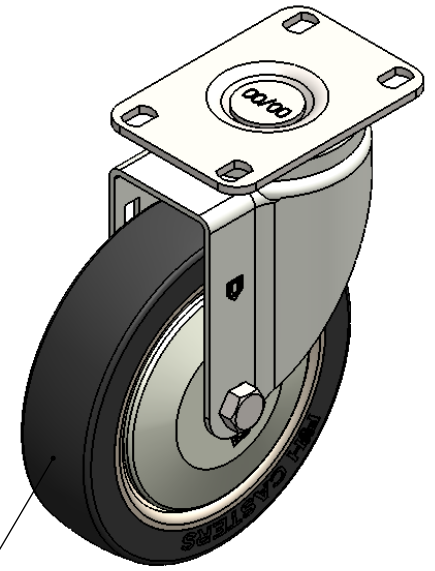
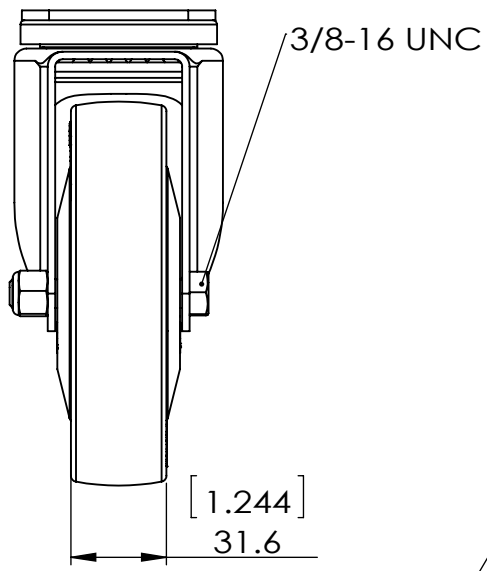
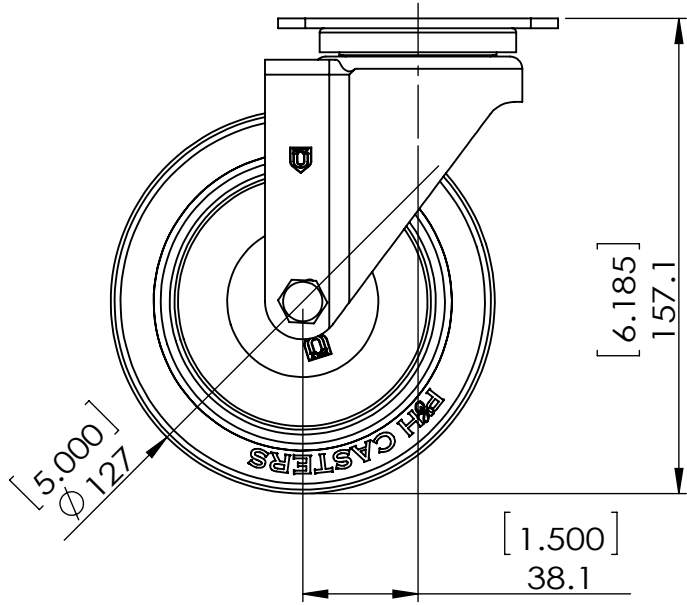
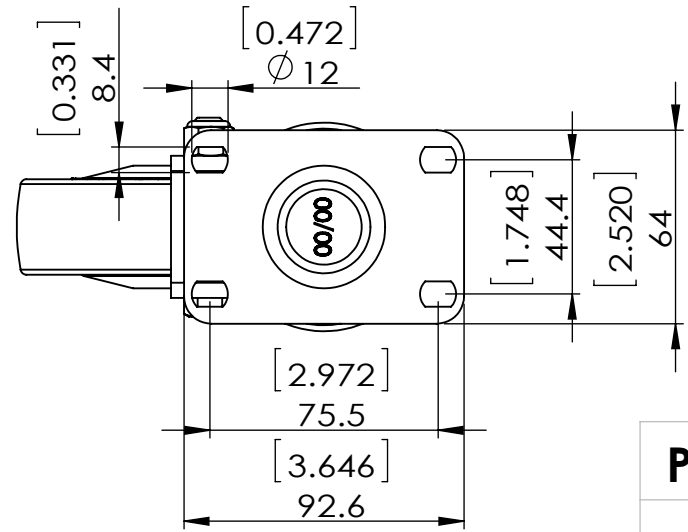


REV NO.	Revision Note	Signature	Date	Checked	Date



Durometer: Shore D 46 (+/-5)



Dimensions in mm [ inch ]

<b>P&amp;H Casters</b>	Scale <b>1:2.5</b>	Volume ( mm <sup>3</sup> )	Drawn By: Hua	Date 2019/4/12
Description CASTER			Reviewed Andy	 FIRST ANGLE PROJECTION
Part Number Z26P154CTKI REV A	Revision	Sheet <b>01</b>	Date 2019/4/12	