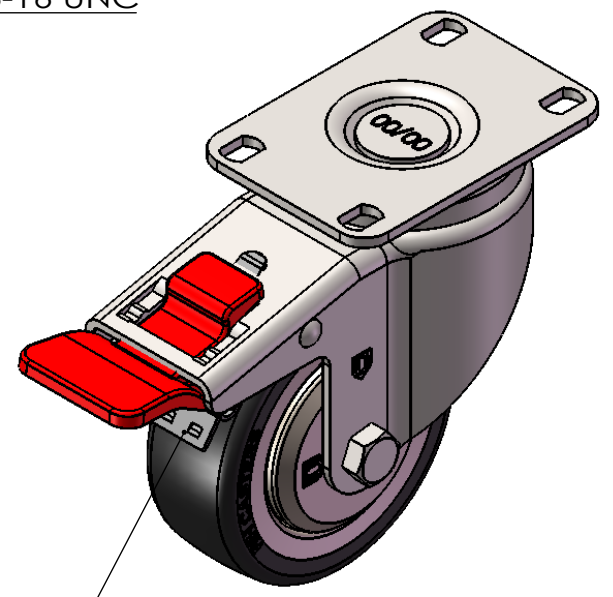
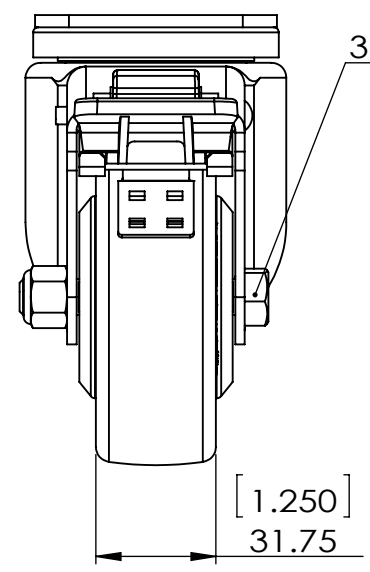
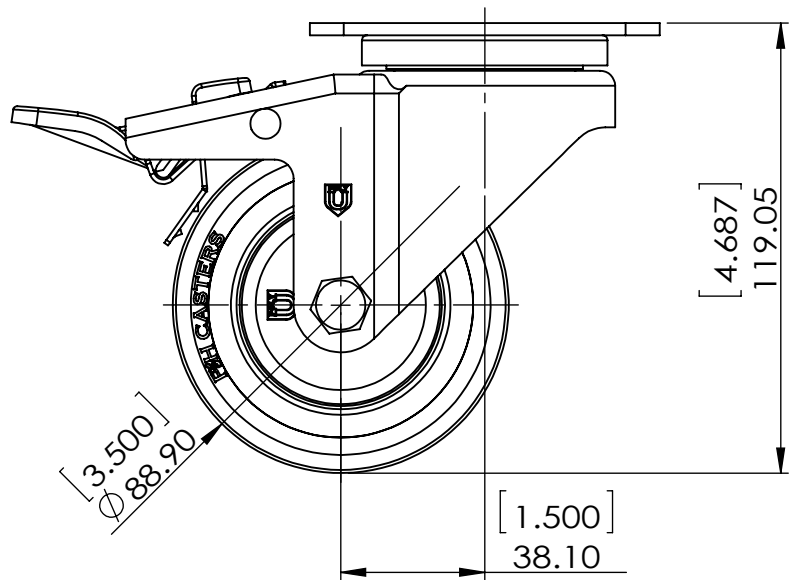
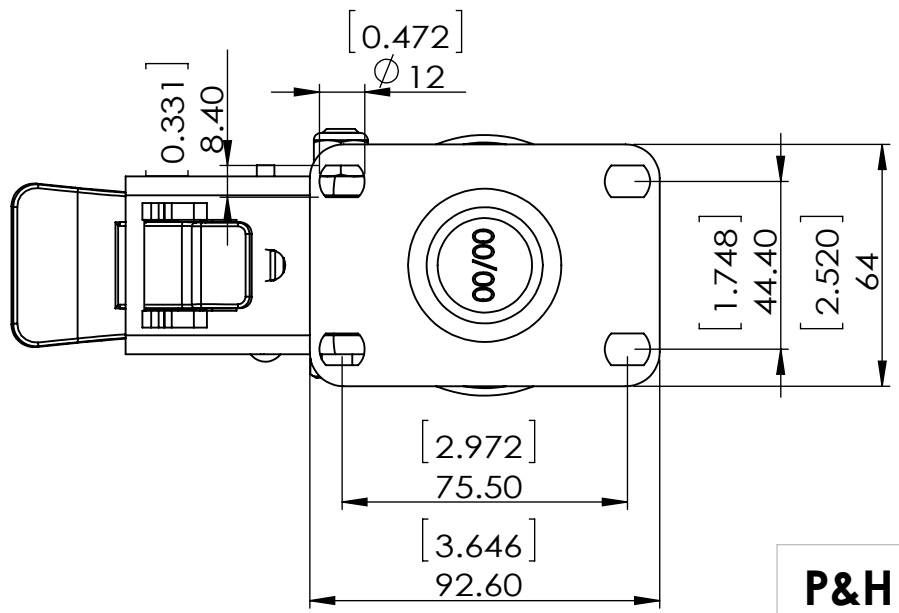


REV NO.	Revision Note	Signature	Date	Checked	Date



Durometer: Shore D 46 (+/-5)



Dimensions in mm [inch]

P&H Casters		Scale 1:2	Volume (mm ^ 3)	Drawn By: Hua	Date 2019/4/30
Description CASTER				Reviewed Andy	 FIRST ANGLE PROJECTION
Part Number Z26P174CTKIL REV A	Revision	Sheet 01	Date 2019/4/30		