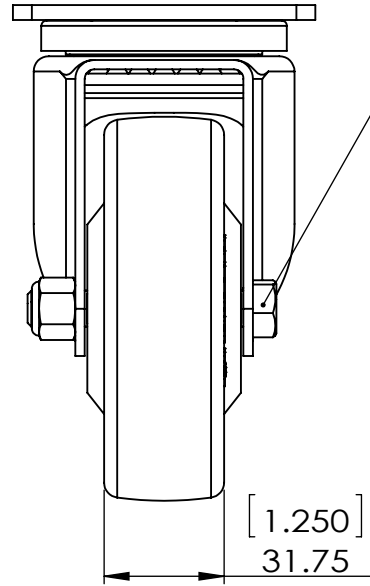
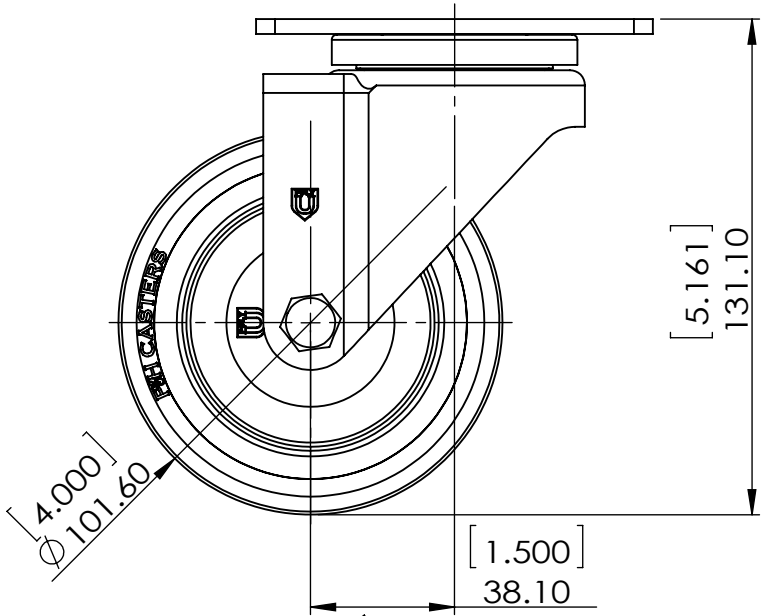
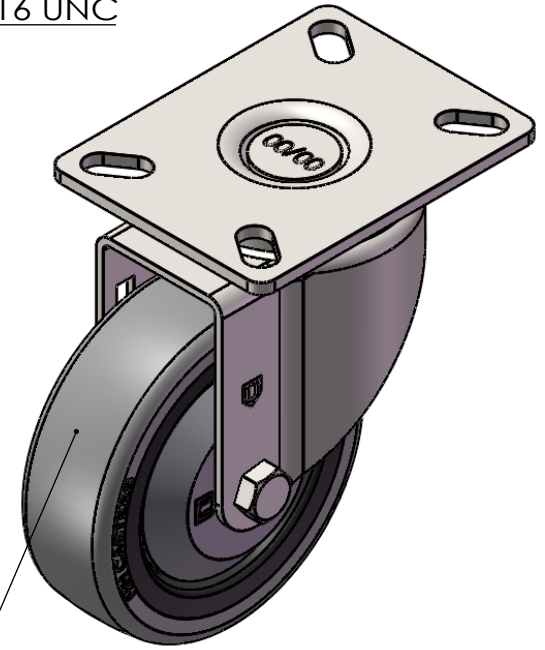


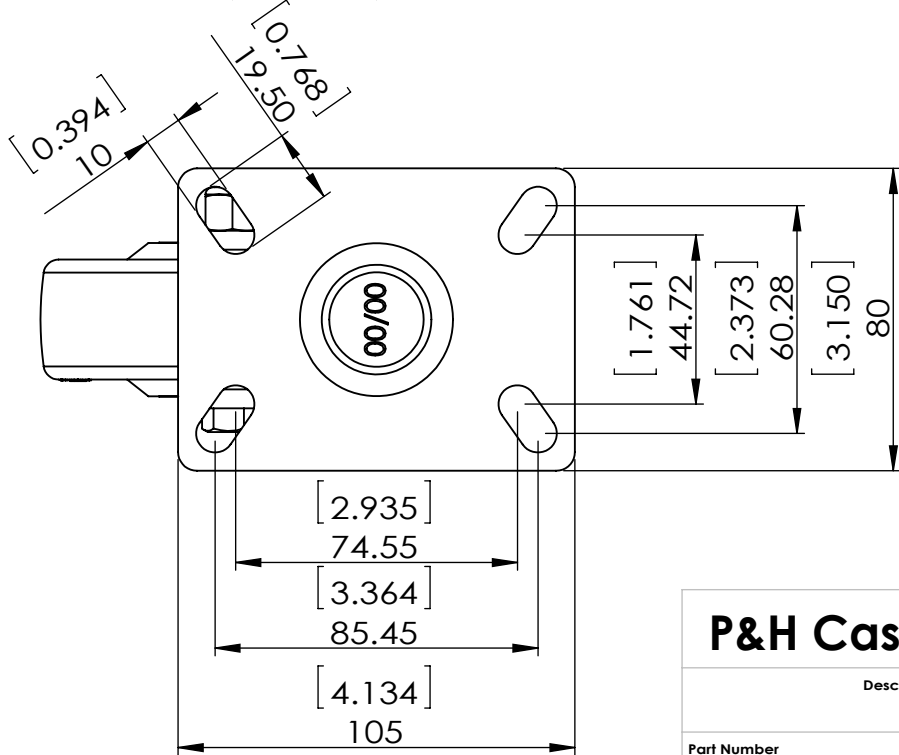
REV NO.	Revision Note	Signature	Date	Checked	Date



3/8-16 UNC



Durometer: Shore A 70 (+/-5)



Dimensions in mm [inch]

P&H Casters		Scale	1:2	Volume (mm ³)	Drawn By:	Date
Description		CASTER		Hua		2019/4/23
Part Number	Revision	Sheet	01	Reviewed		 FIRST ANGLE PROJECTION
Z26P244NEKI	REV A	Date		Andy	2019/4/23	