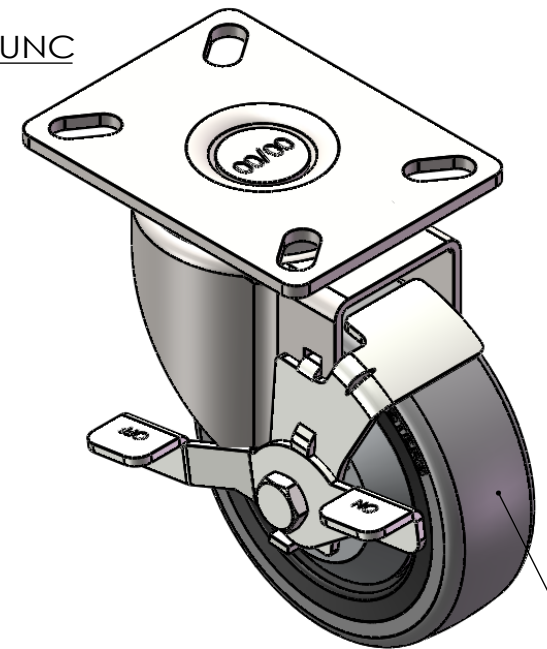
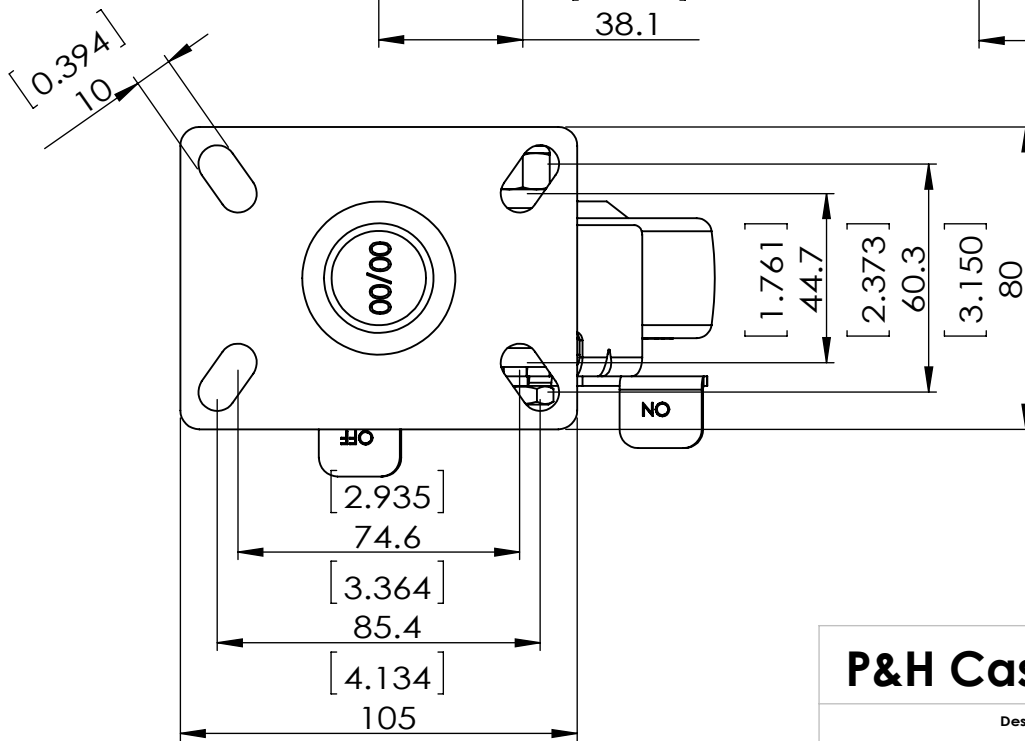


3/8-16 UNC



Durometer: Shore A 70 (+/-5)



Dimensions in mm [ inch ]

<b>P&amp;H Casters</b>		Scale	<b>1:2</b>	Volume ( mm <sup>3</sup> )	Drawn By:	Date
Description		CASTER			Hua	2020/2/4
Part Number	Revision	Sheet	<b>01</b>	Date	Andy	2020/2/4
Z26P244NEKIB REV A						