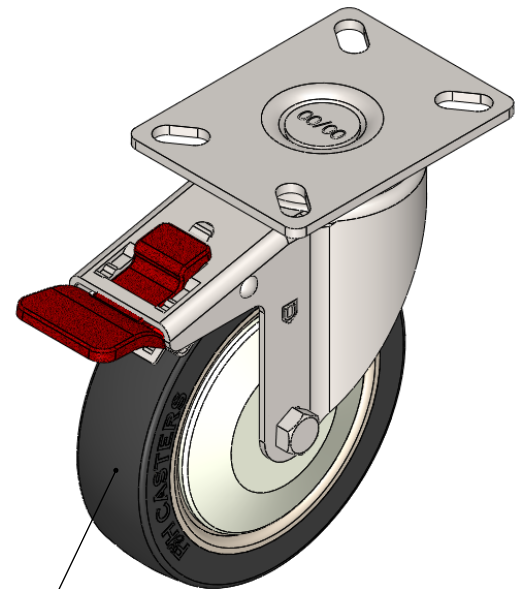
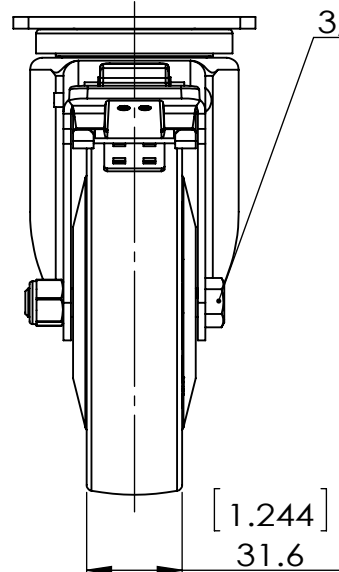
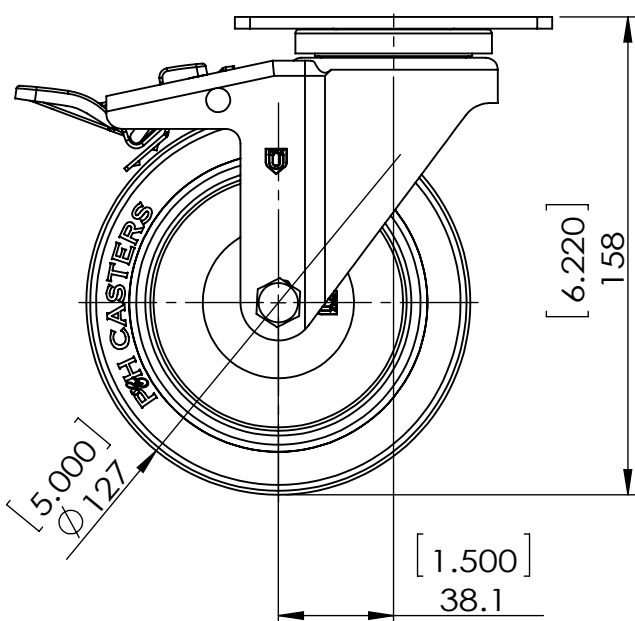
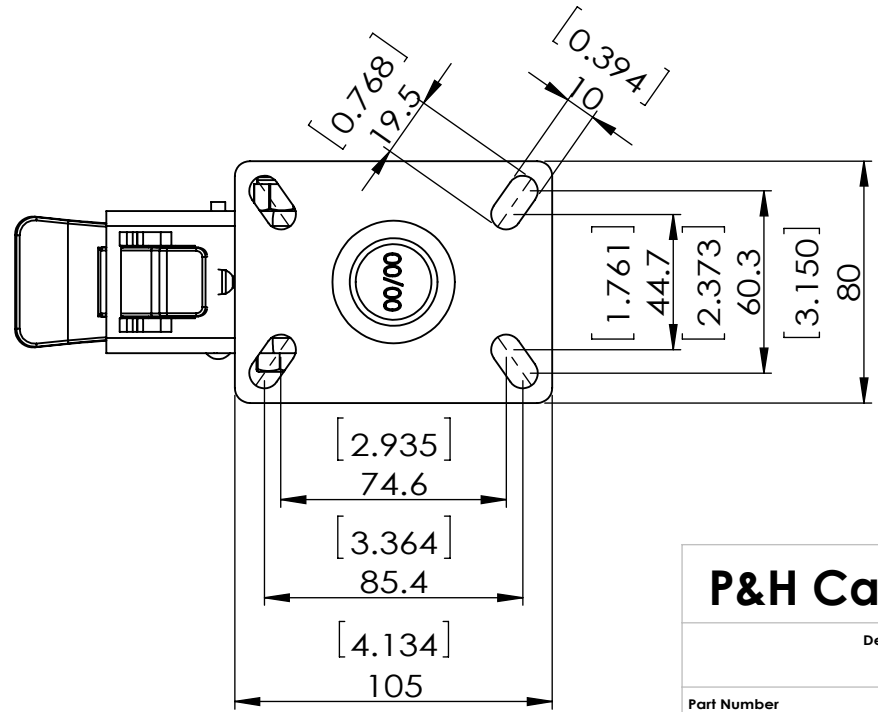


REV NO.	Revision Note	Signature	Date	Checked	Date



Durometer: Shore D 46 (+/-5)



Dimensions in mm [inch]

P&H Casters	Scale 1:2.5	Volume (mm ^ 3)	Drawn By: Hua	Date 2019/7/18
Description CASTER	Part Number Z26P254CTKIL REV A	Revision 01	Reviewed Andy	Date 2019/7/18
Sheet 01			 FIRST ANGLE PROJECTION	