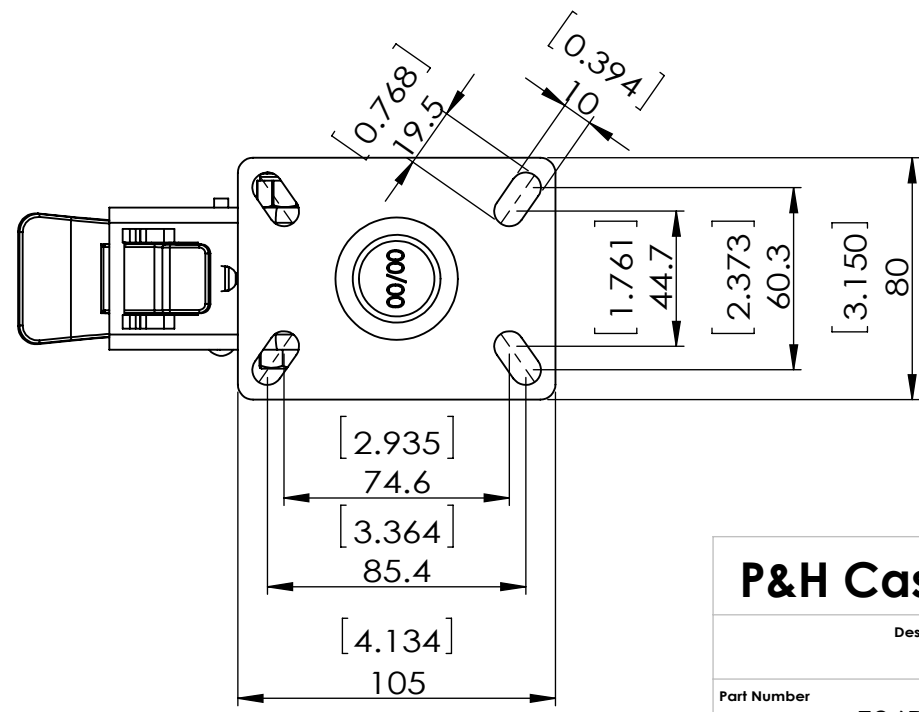


Durometer: Shore D 46 (+/-5)



Dimensions in mm [inch]

P&H Casters	Scale 1:2.5	Volume (mm ^ 3)	Drawn By: Ronny	Date 2019/4/8
Description CASTER			P&H Approval	
Part Number Z26P254CTKIR REV A	Revision	Sheet 01	Date	

