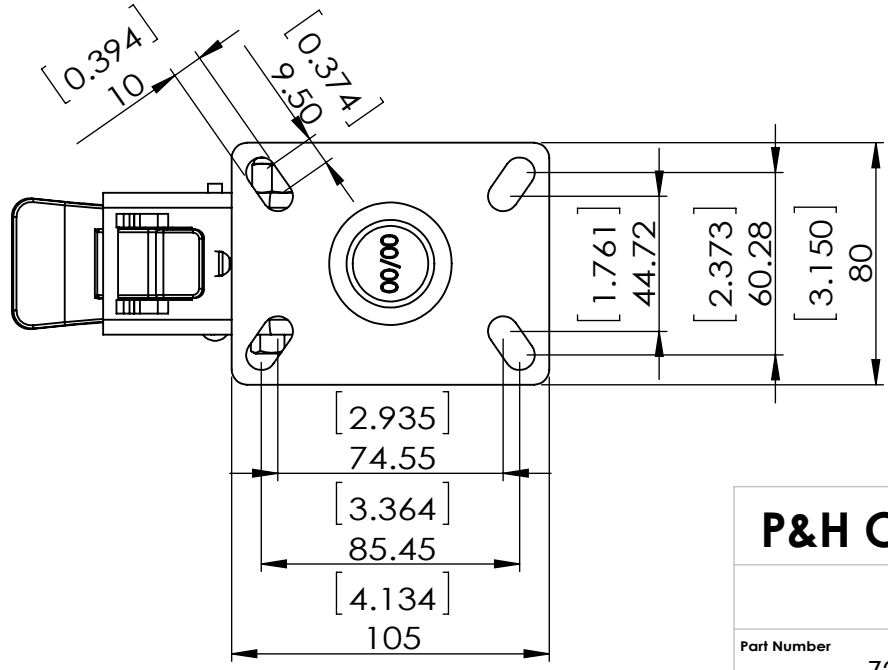
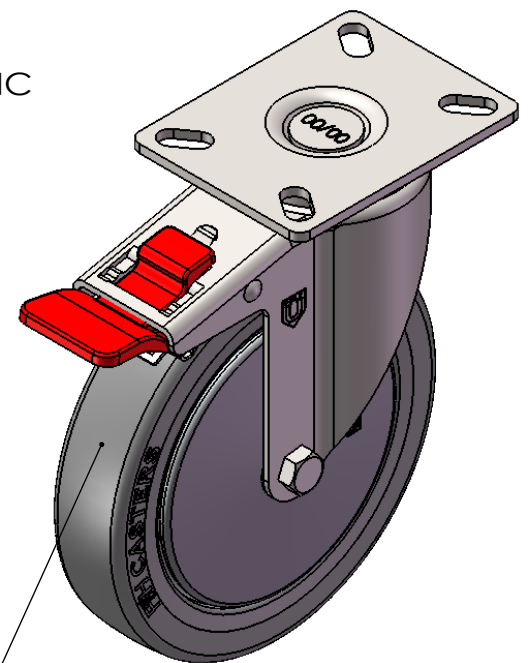
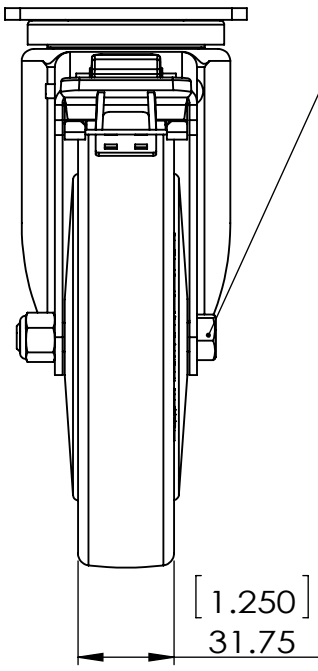
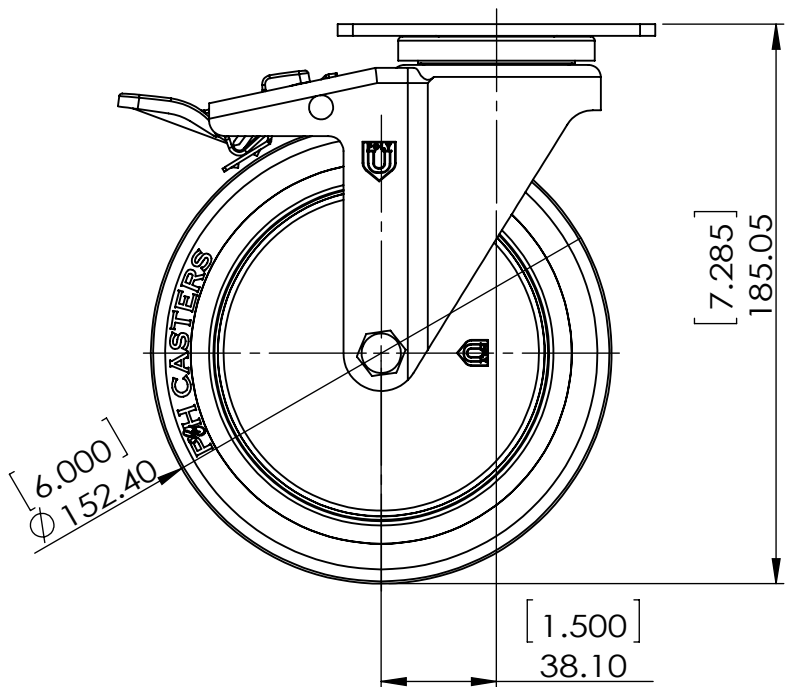


REV NO.	Revision Note	Signature	Date	Checked	Date



Dimensions in mm [inch]

P&H Casters		Scale	1:2.5	Volume (mm ³)	Drawn By:	Hua	Date	2019/4/23
Description					CASTER		Reviewed	Andy
Part Number			Revision		Sheet		Date	2019/4/23
Z26P264NEKHL			REV A		01			

