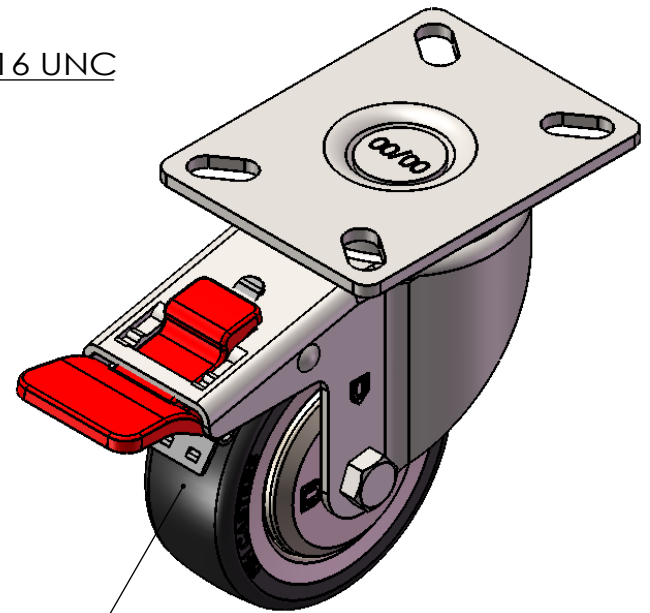
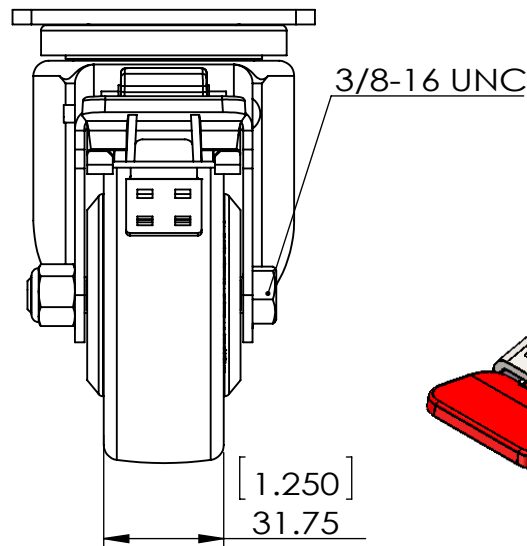
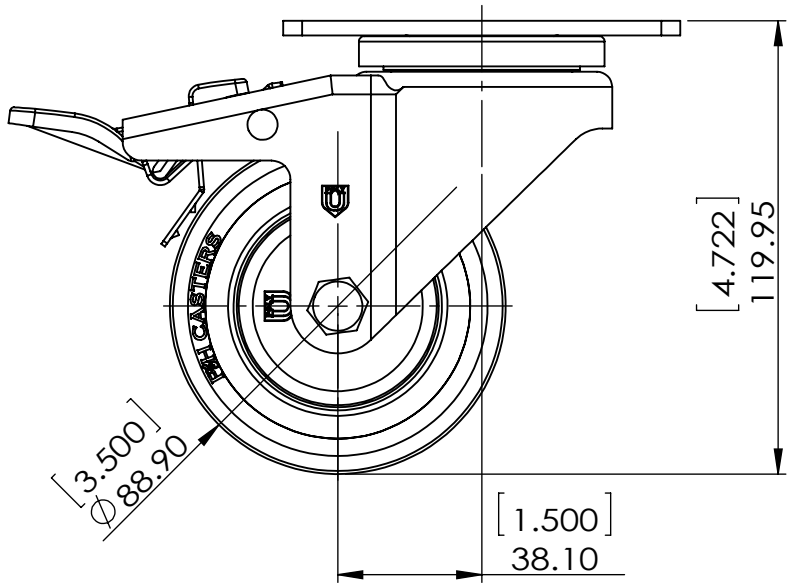
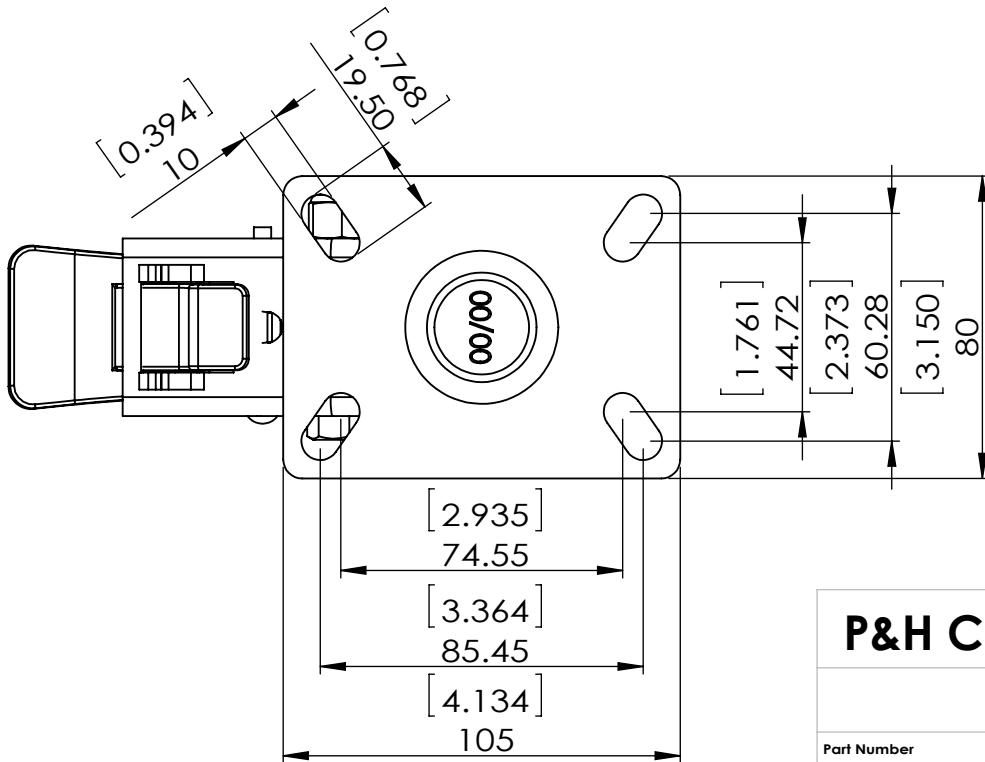


REV NO.	Revision Note	Signature	Date	Checked	Date



Durometer: Shore D 46 (+/-5)



Dimensions in mm [inch]

P&H Casters		Scale	1:2	Volume (mm ^ 3)	Drawn By:	Date
Description		CASTER		Hua		2019/4/23
Part Number	Revision	Sheet	Reviewed			
Z26P274CTKIL	REV A	01	Andy			
			Date	2019/4/23		

