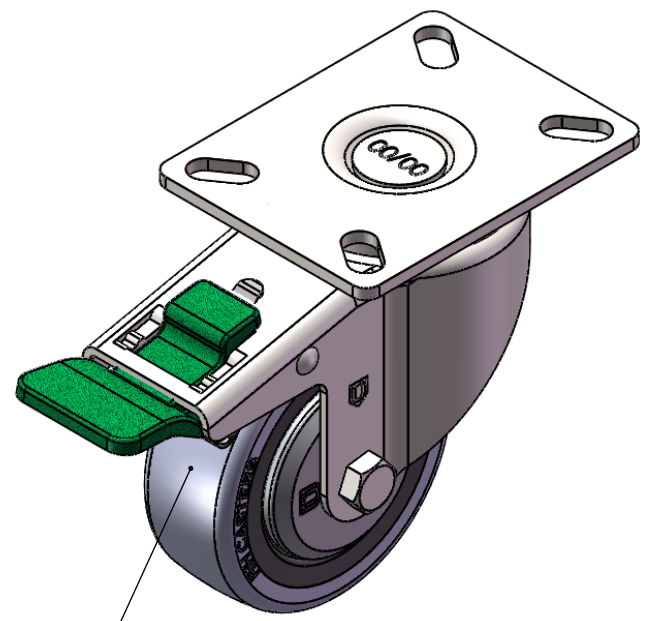
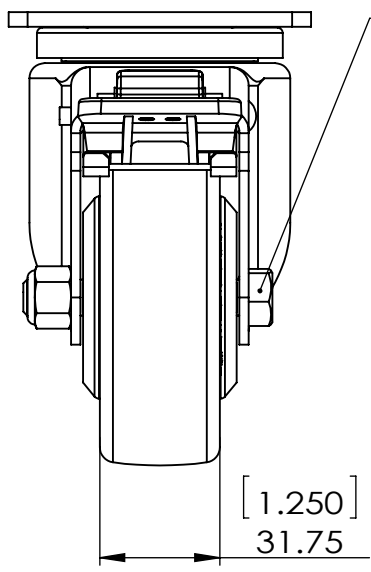
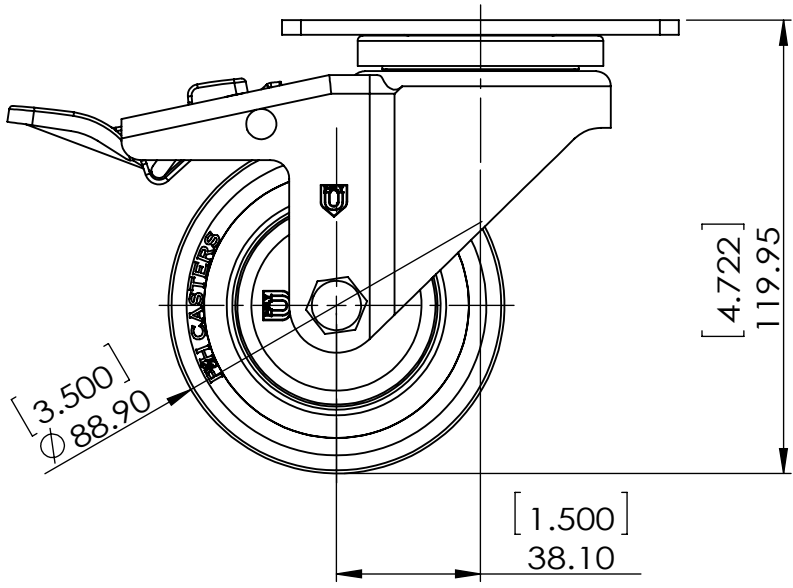
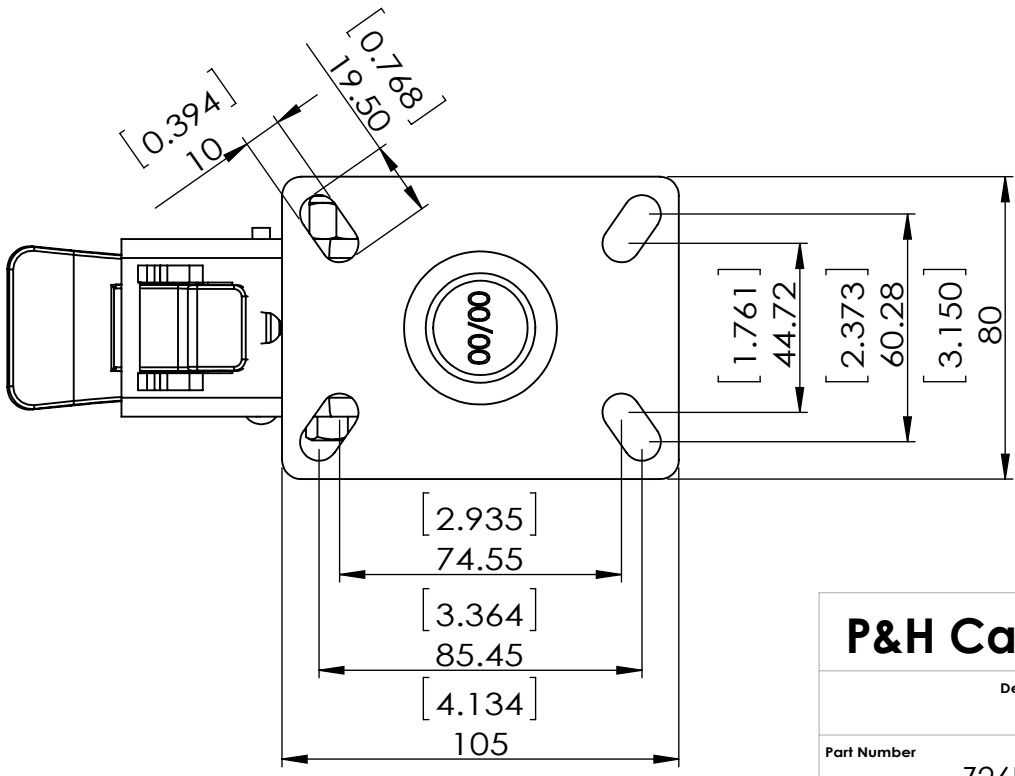


REV NO.	Revision Note	Signature	Date	Checked	Date



Durometer: Shore A 70 (+/-5)



Dimensions in mm [ inch ]

<b>P&amp;H Casters</b>		Scale	<b>1:2</b>	Volume ( mm ^ 3 )	Drawn By:	Date
Description		CASTER		Reviewed	Hua	2019/4/24
Part Number	Revision	Sheet	<b>01</b>	Date	Andy	2019/4/24
Z26P274NEKIR REV A		FIRST ANGLE PROJECTION				