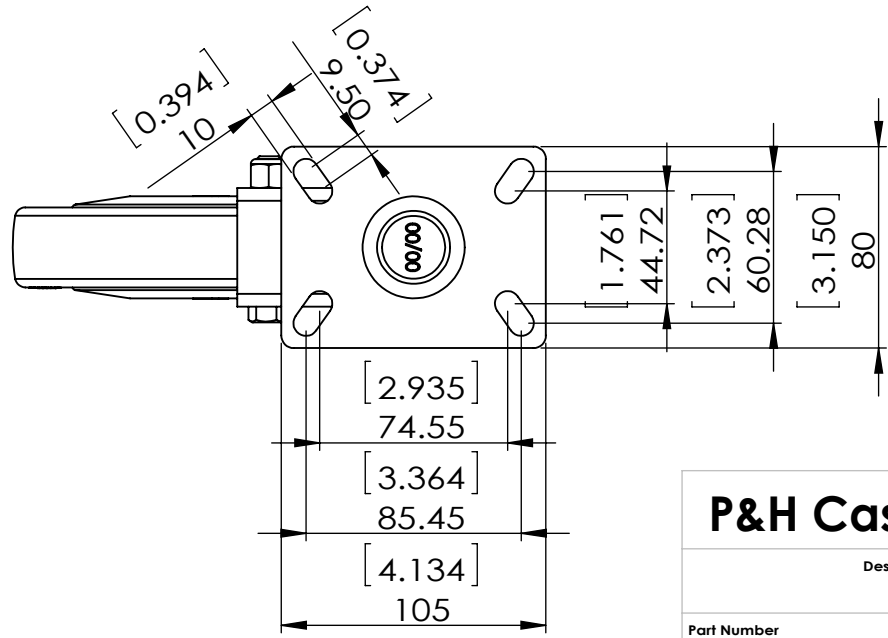
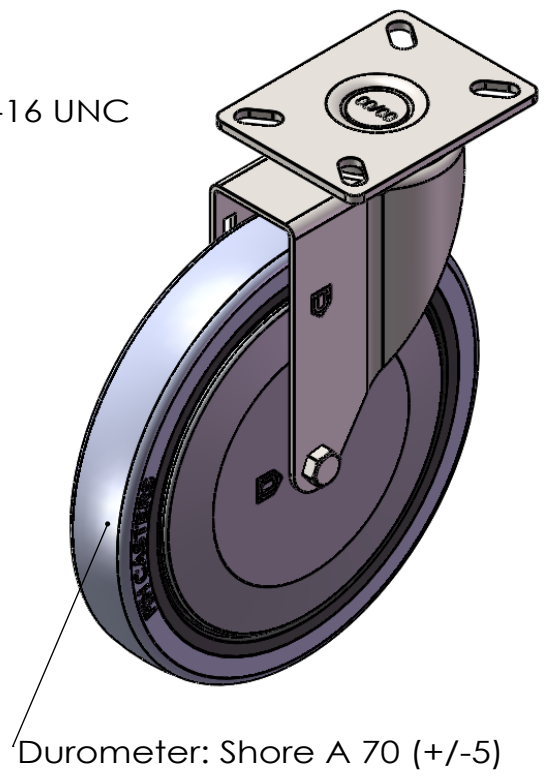
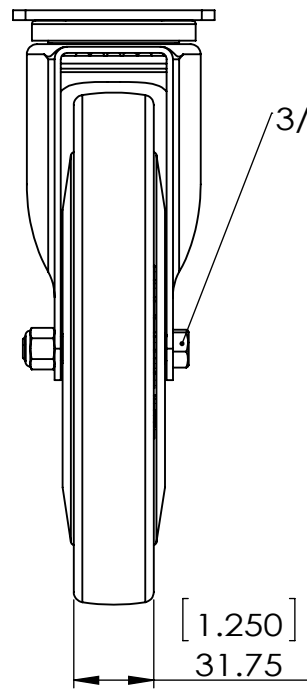
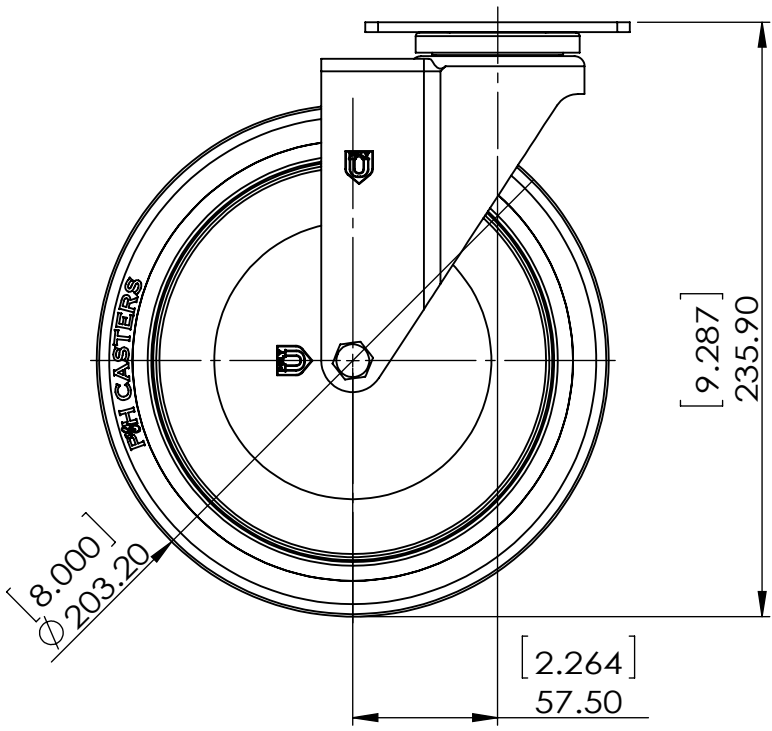


| REV NO. | Revision Note | Signature | Date | Checked | Date |
|---------|---------------|-----------|------|---------|------|
| | | | | | |



Dimensions in mm [inch]

| | | | | | |
|----------------------------------|----------|---------------------|-------------------|------------------|--|
| P&H Casters | | Scale 1:3 | Volume (mm ^ 3) | Drawn By: Hua | Date 2019/4/23 |
| Description CASTER | | | | Reviewed Andy |  <small>FIRST ANGLE PROJECTION</small> |
| Part Number Z26P284NEKH REV A | Revision | Sheet 01 | Date 2019/4/23 | | |