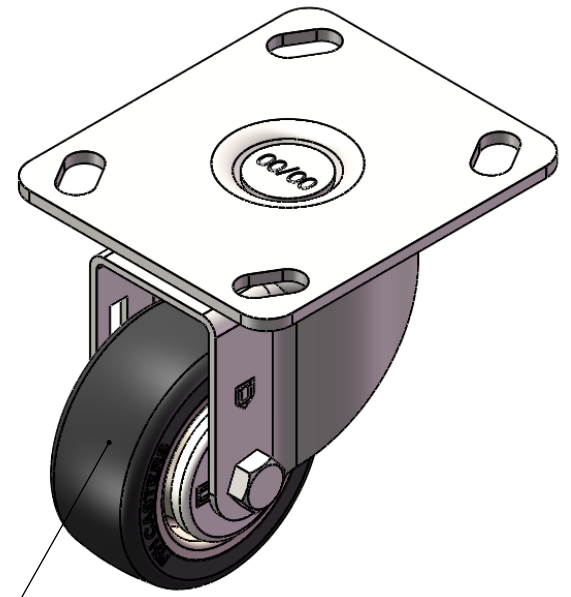
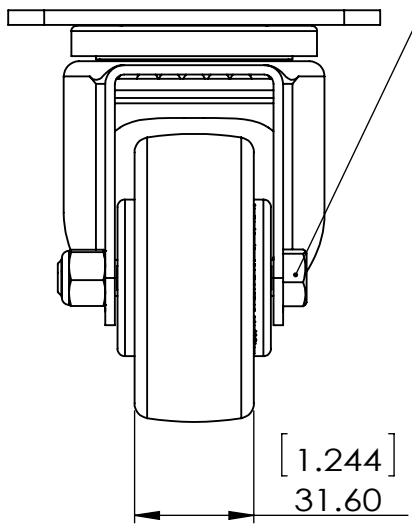
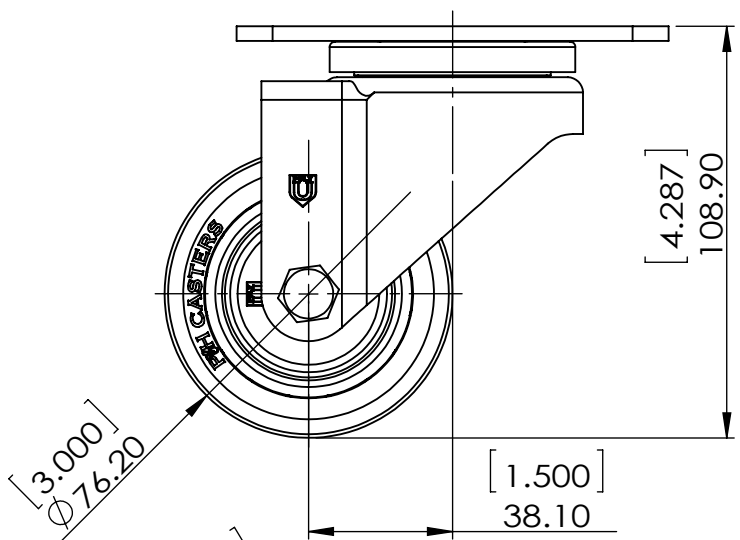
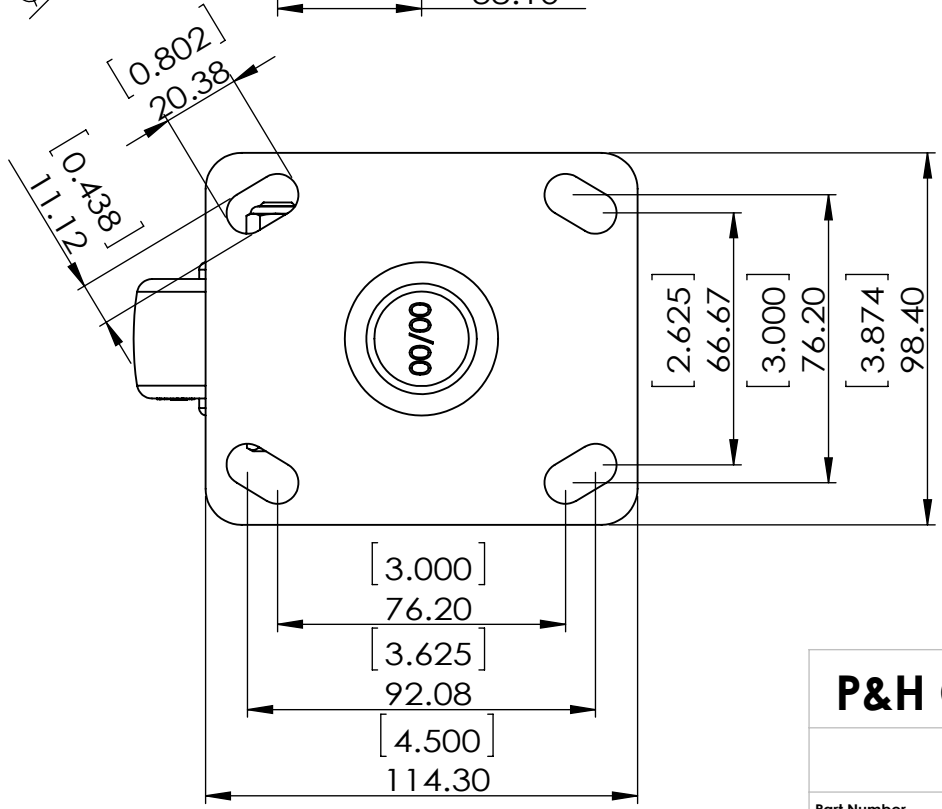


REV NO.	Revision Note	Signature	Date	Checked	Date



Durometer: Shore D 46 (+/-5)



Dimensions in mm [ inch ]

<b>P&amp;H Casters</b>		Scale	<b>1:2</b>	Volume ( mm ^ 3 )	Drawn By:	Date
Description		CASTER		Reviewed		
Part Number	Revision	Sheet	<b>01</b>	Date	2019/4/17	
Z26P334CTKI REV A				Hua		2019/4/17
				Andy		

