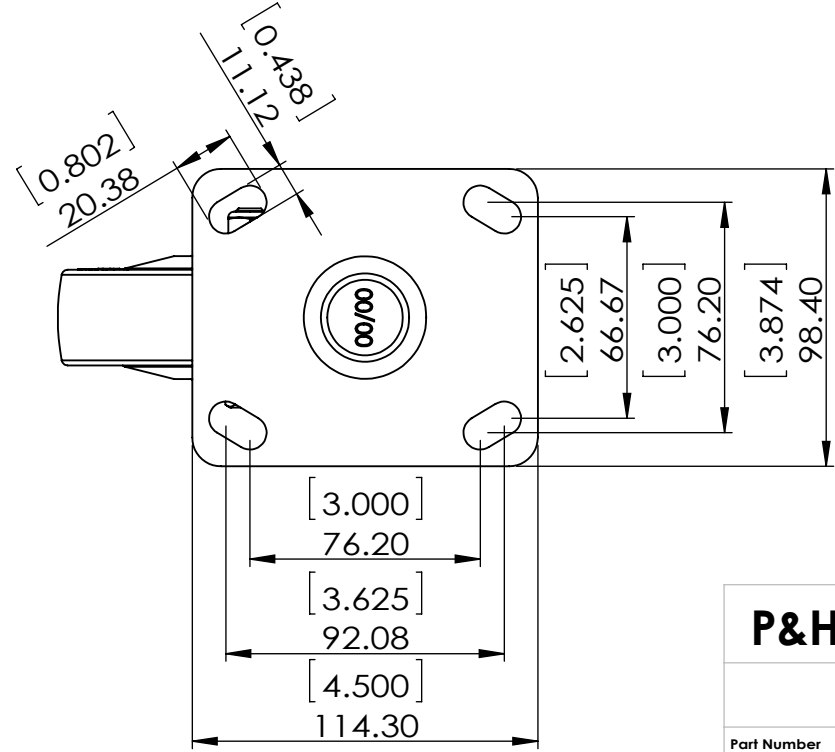
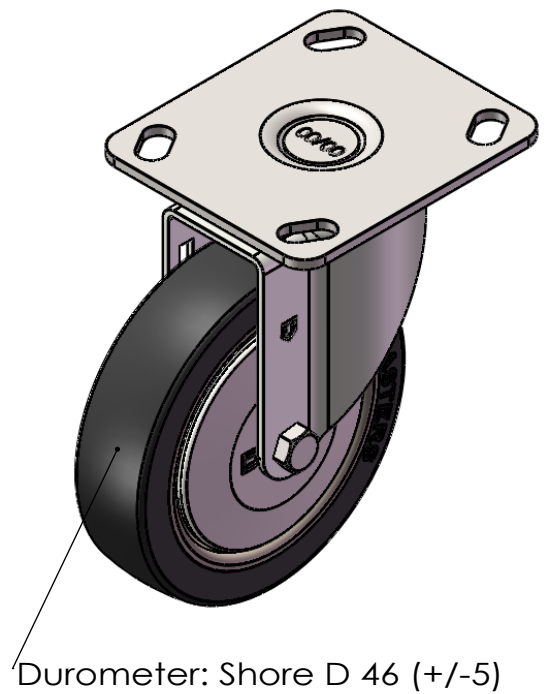
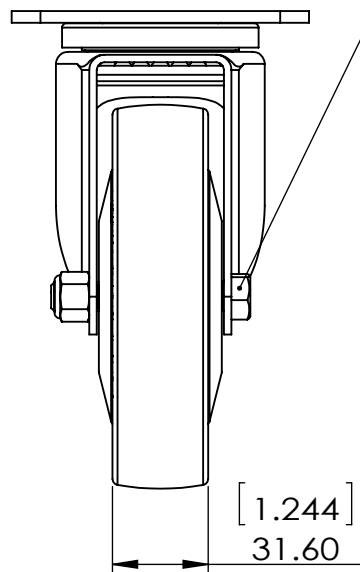
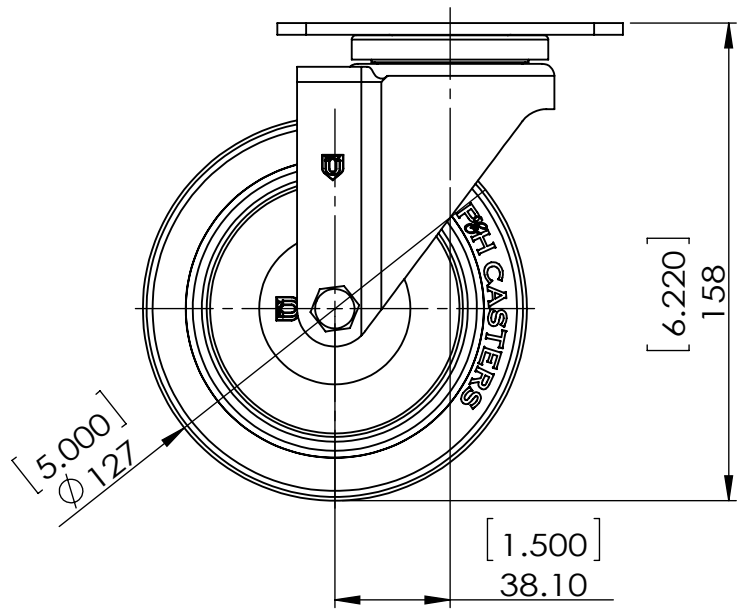


REV NO.	Revision Note	Signature	Date	Checked	Date



Dimensions in mm [inch]

P&H Casters		Scale 1:2.5	Volume (mm ^ 3)	Drawn By: Hua	Date 2019/4/16
Description CASTER			Reviewed Andy		
Part Number Z26P354CTKI REV A	Revision	Sheet 01	Date 2019/4/16		