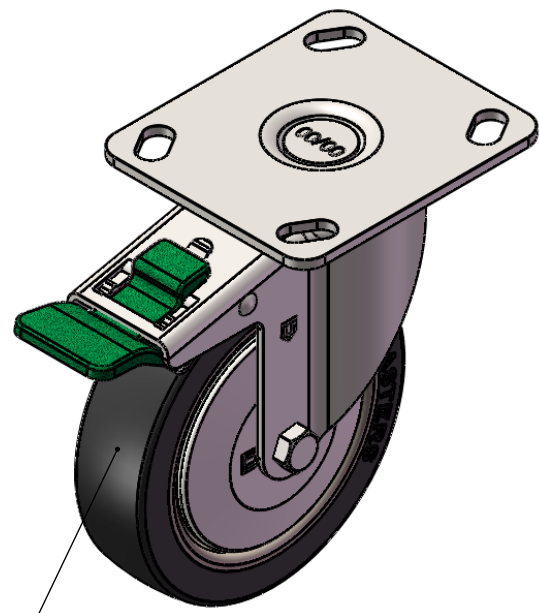
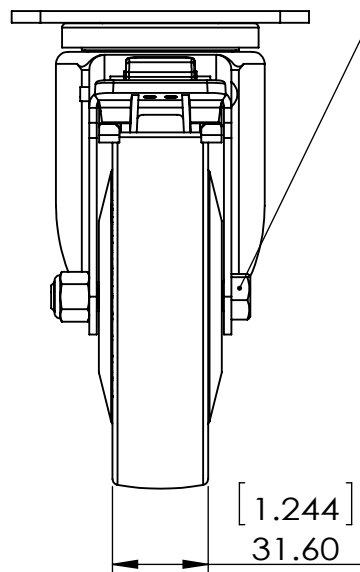
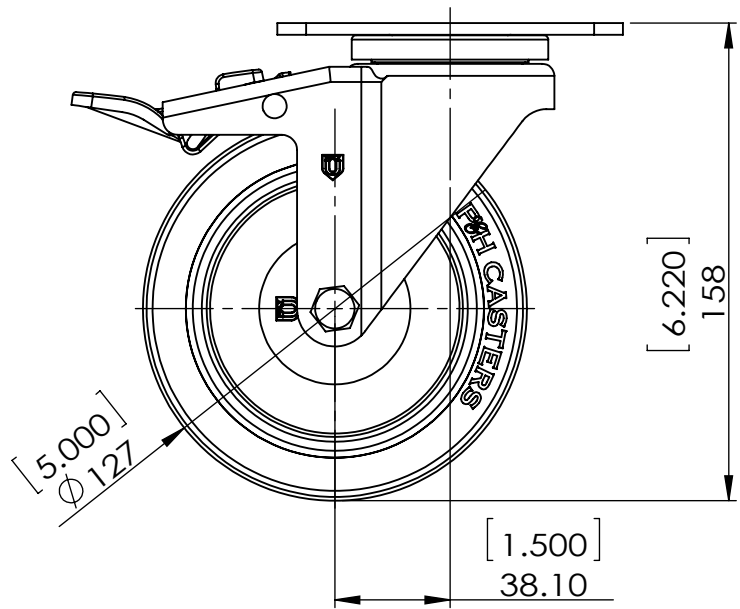
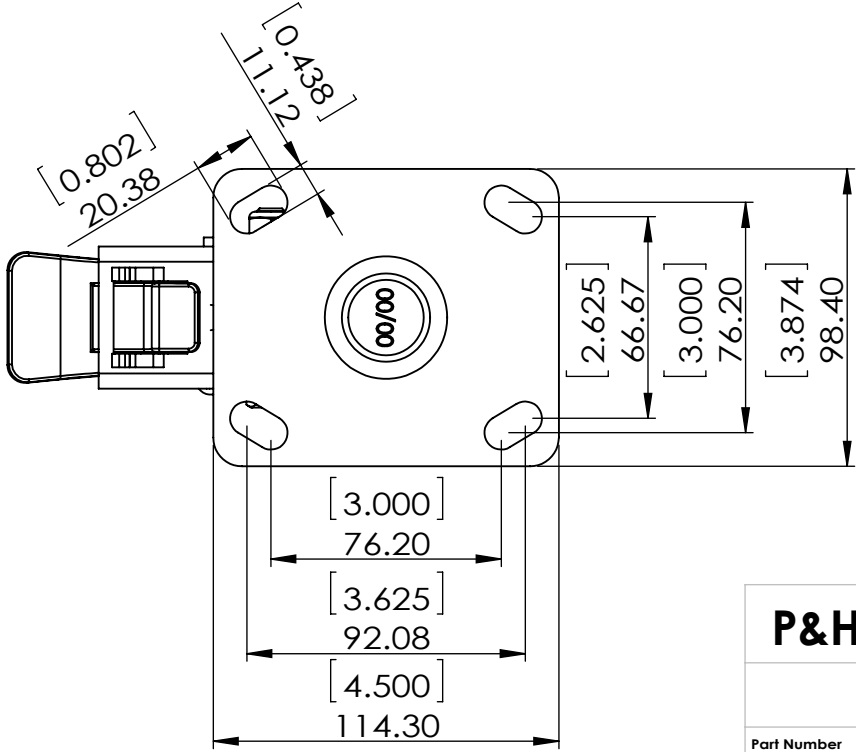


REV NO.	Revision Note	Signature	Date	Checked	Date



Durometer: Shore D 46 (+/-5)



Dimensions in mm [inch]

P&H Casters		Scale	1:2.5	Volume (mm ³)	Drawn By:	Hua	Date	2019/4/16
Description					CASTER		Reviewed	Andy
Part Number			Revision		Sheet		Date	 FIRST ANGLE PROJECTION
Z26P354CTKIR			REV A		01		2019/4/16	