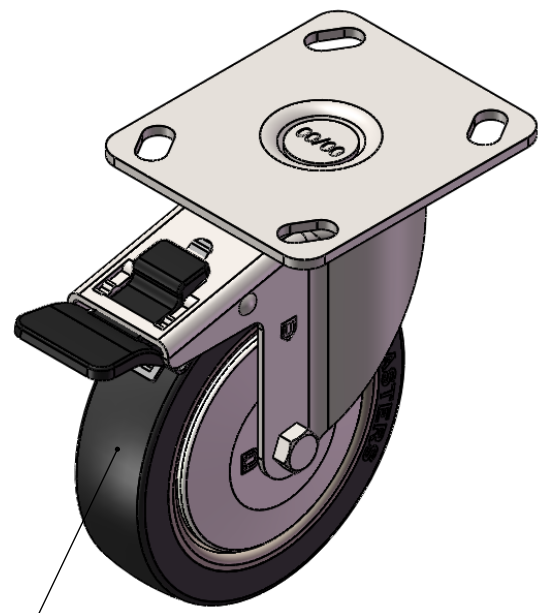
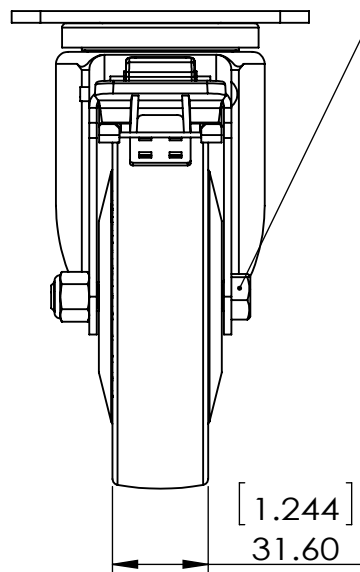
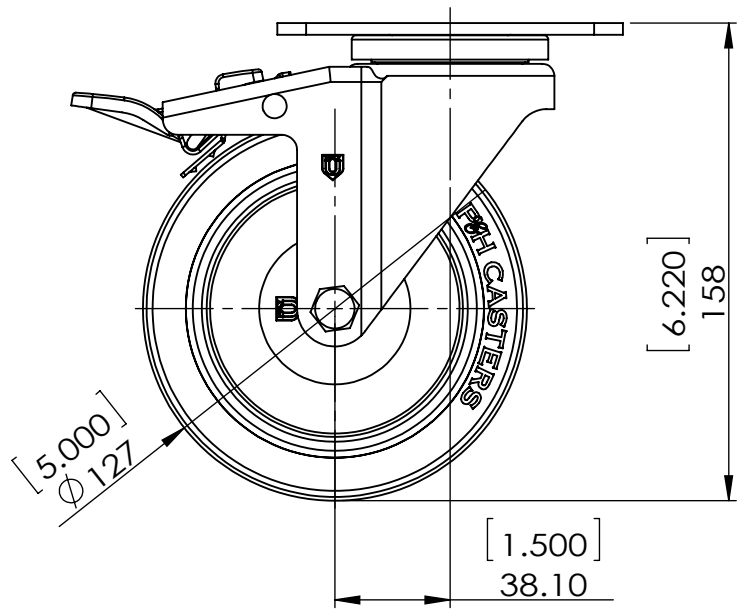
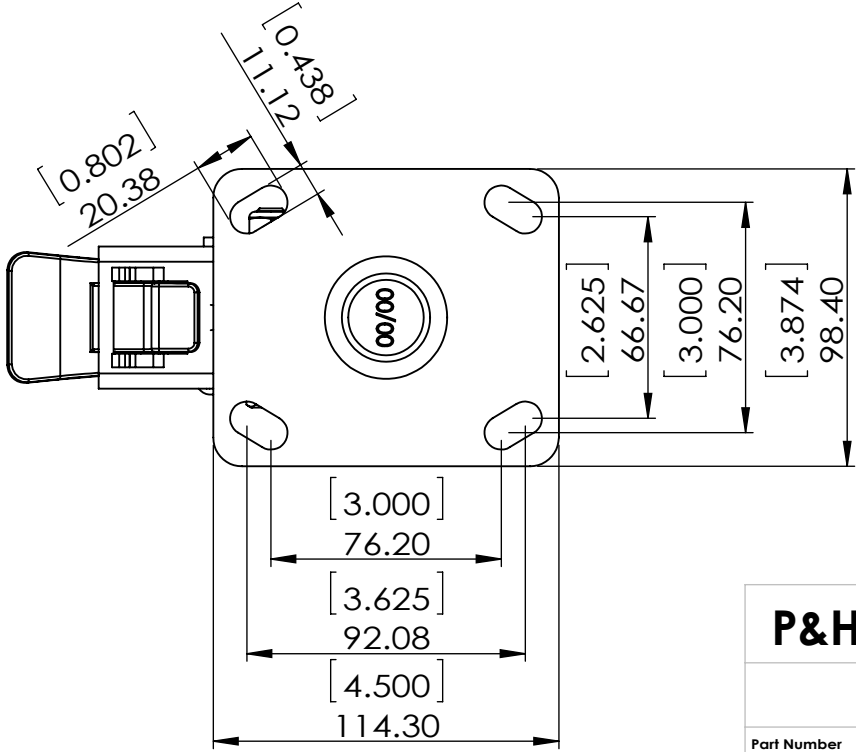


REV NO.	Revision Note	Signature	Date	Checked	Date



Durometer: Shore D 46 (+/-5)



Dimensions in mm [inch]

P&H Casters		Scale 1:2.5	Volume (mm ^ 3)	Drawn By: Hua	Date 2019/4/16
Description CASTER				Reviewed Andy	<p>FIRST ANGLE PROJECTION</p>
Part Number Z26P354CTKIT REV A	Revision	Sheet 01	Date 2019/4/16		