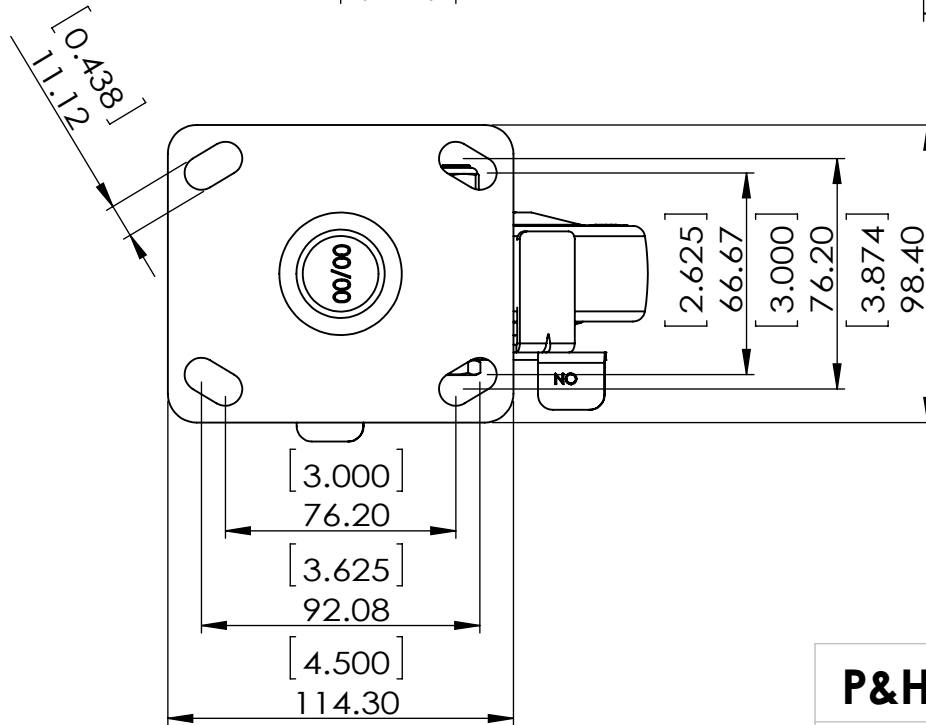


Durometer: Shore A 70 (+/-5)



Dimensions in mm [inch]

P&H Casters		Scale	1:2.5	Volume (mm ³)	Drawn By:	Date
Description		CASTER			Hua	2019/11/1
Part Number	Revision	Sheet	01	Date	Andy	2019/11/1
Z26P354NEKIB REV A						 FIRST ANGLE PROJECTION