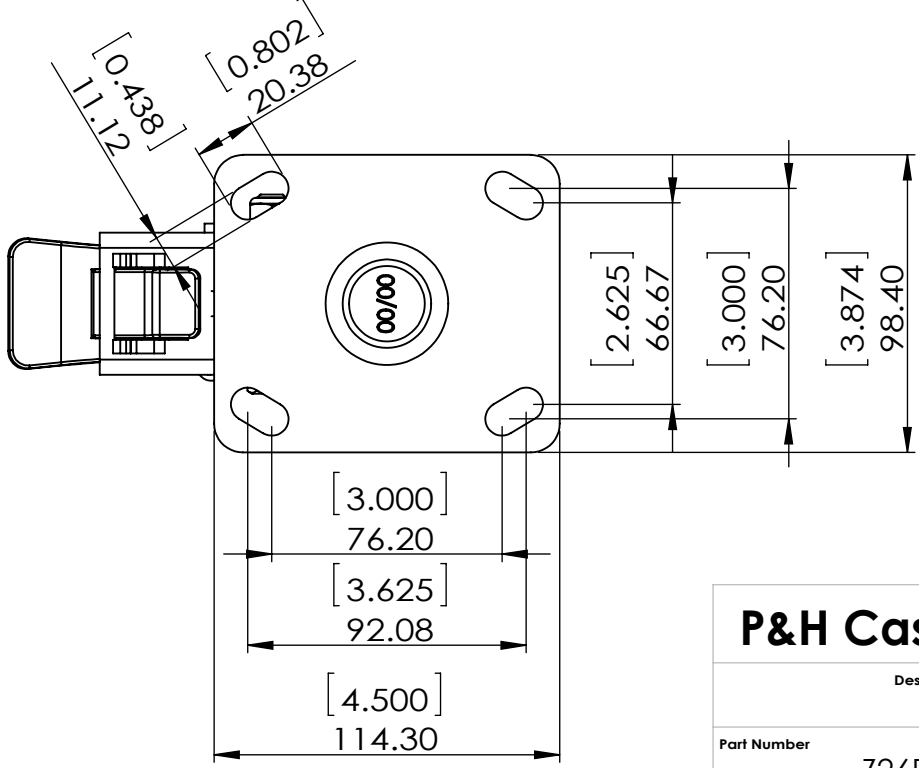
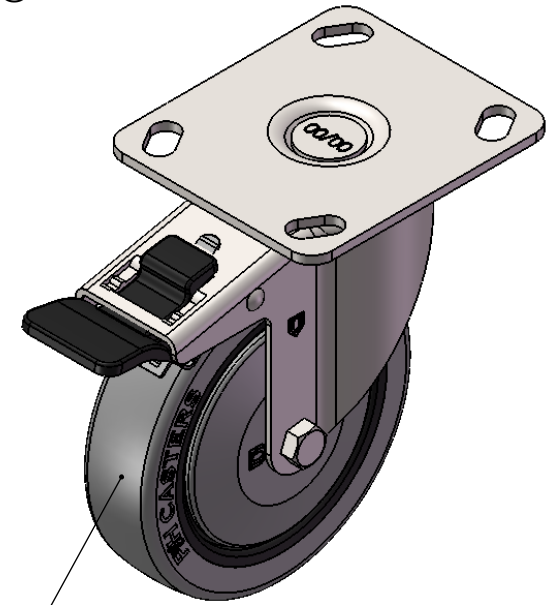
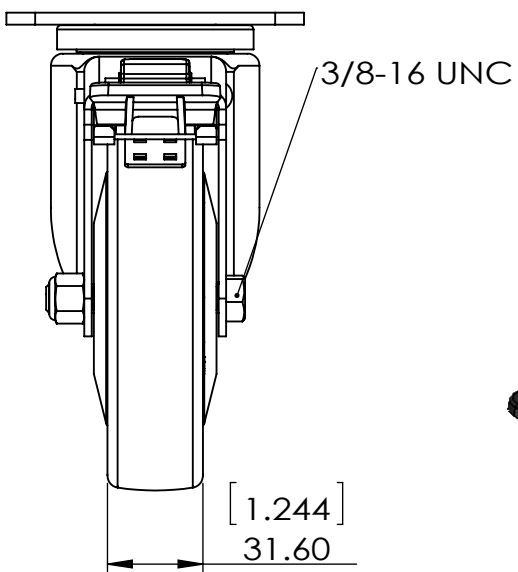
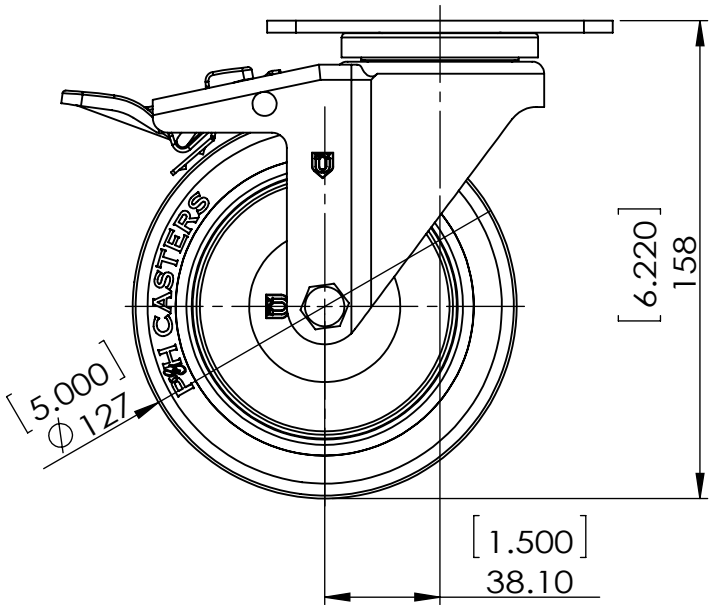


REV NO.	Revision Note	Signature	Date	Checked	Date



Dimensions in mm [ inch ]

<b>P&amp;H Casters</b>		Scale <b>1:2.5</b>	Volume ( mm <sup>3</sup> )	Drawn By: Hua	Date 2019/4/16
Description CASTER			Reviewed Andy		
Part Number Z26P354NEKIT REV A	Revision	Sheet <b>01</b>	Date 2019/4/16		