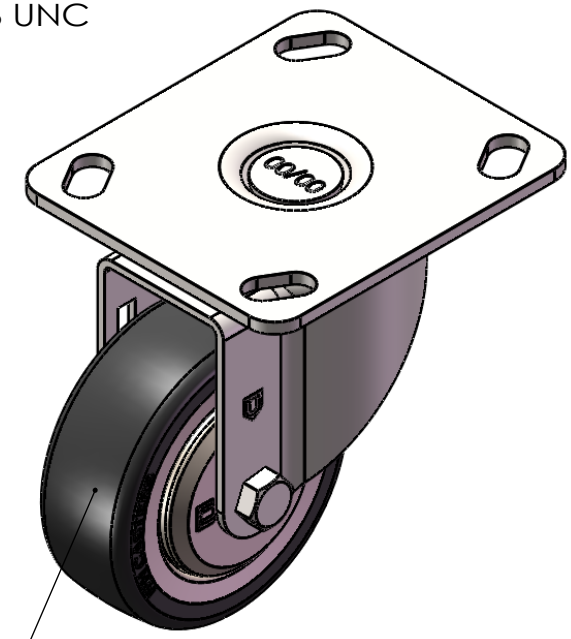
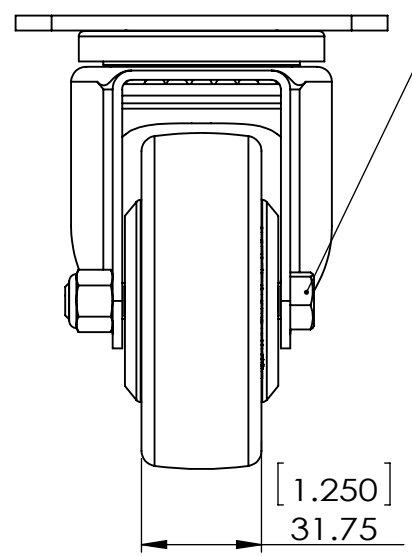
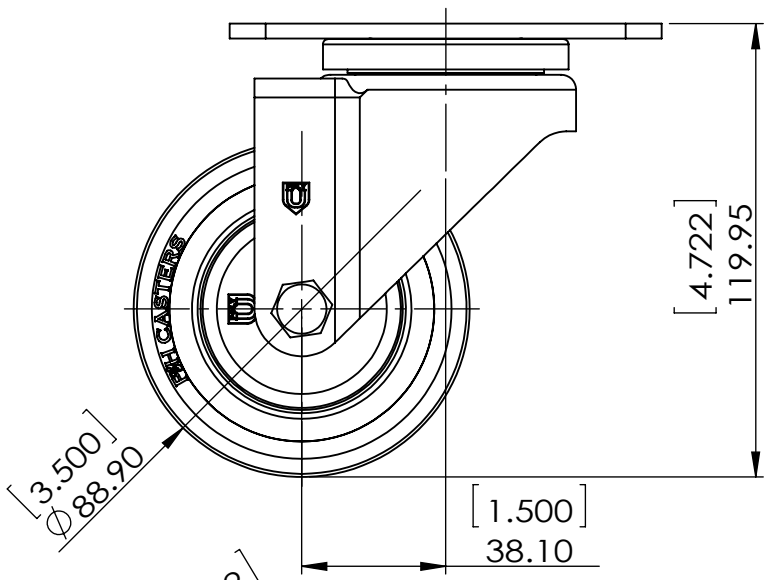
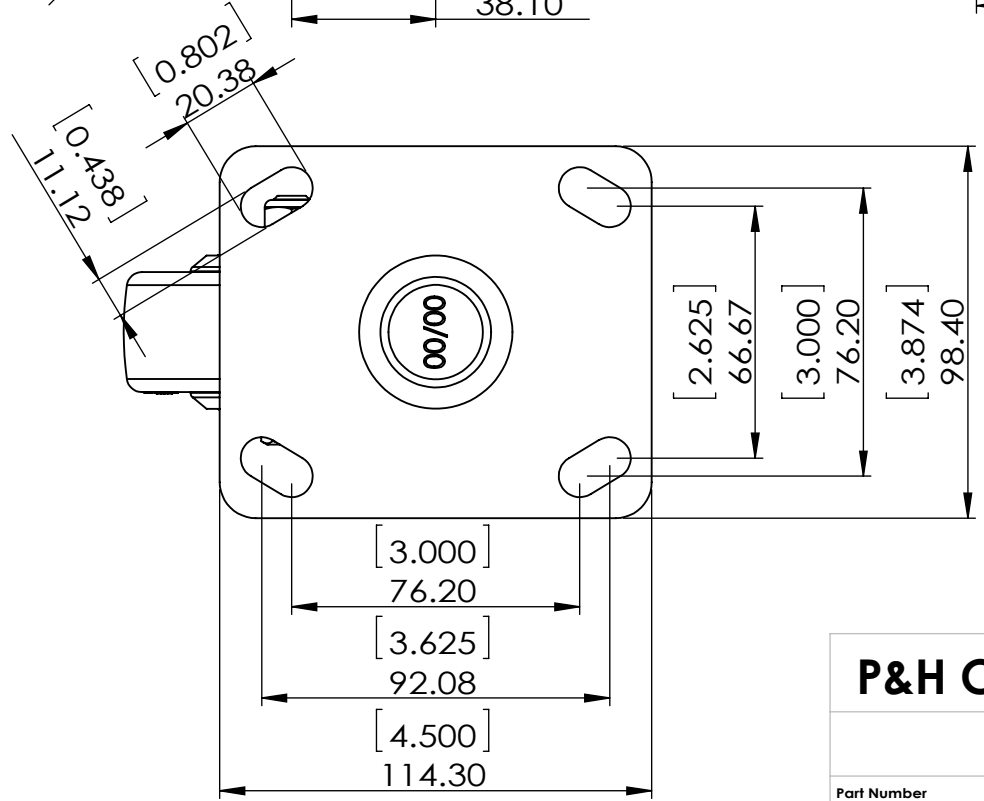


REV NO.	Revision Note	Signature	Date	Checked	Date



Durometer: Shore D 46 (+/-5)



Dimensions in mm [inch]

P&H Casters		Scale	1:2	Volume (mm ³)	Drawn By:	Date
Description		CASTER		Reviewed	Hua	2019/4/17
Part Number	Revision	Sheet	01	Date	Andy	2019/4/17
Z26P374CTKI REV A						 FIRST ANGLE PROJECTION