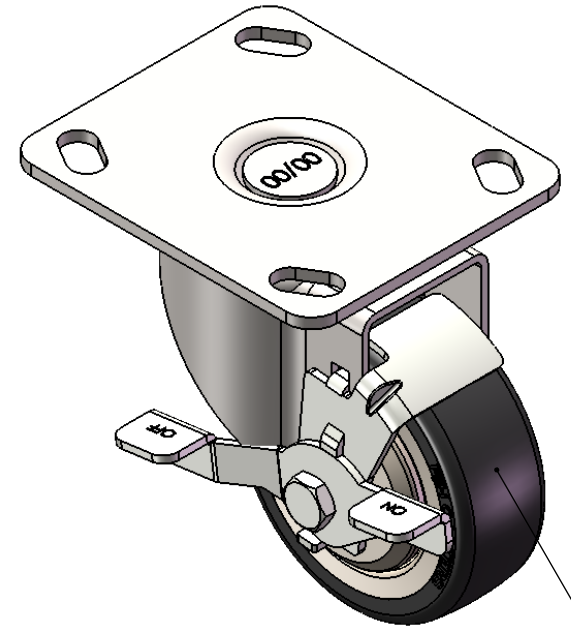
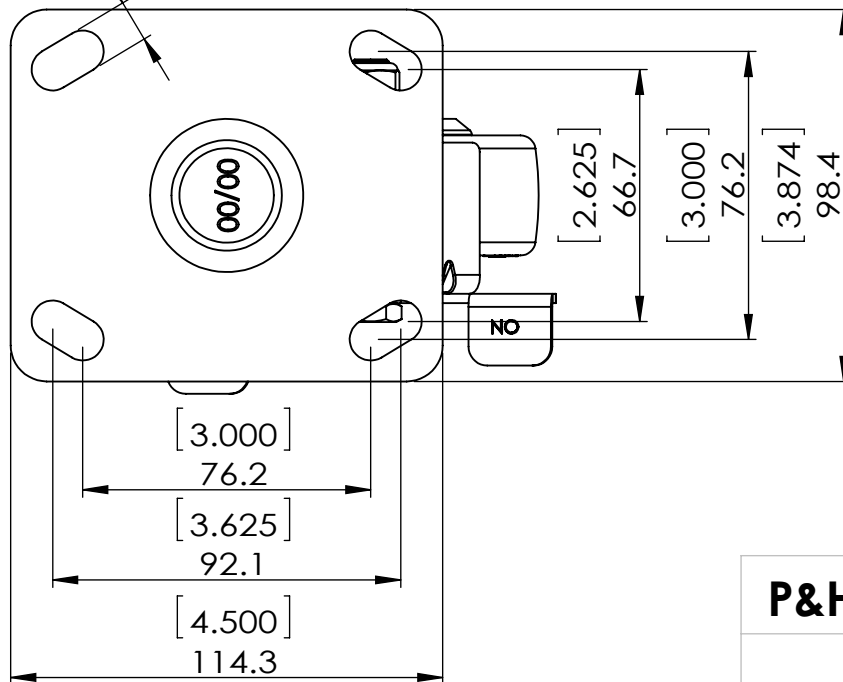


3/8-16 UNC



Durometer: Shore D 46 (+/-5)



Dimensions in mm [inch]

P&H Casters		Scale	1:2	Volume (mm ³)	Drawn By:	Date
Description		CASTER			Hua	2019/12/18
Part Number	Revision	Sheet	01	Date	Andy	 FIRST ANGLE PROJECTION
Z26P374CTKIB	REV A			2019/12/18		