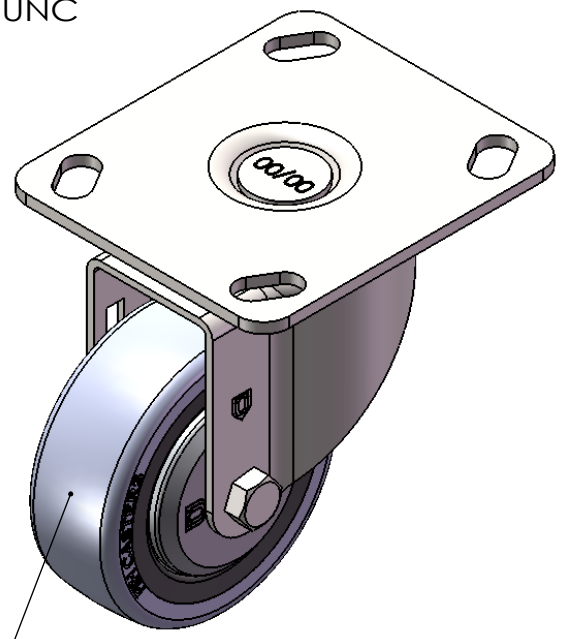
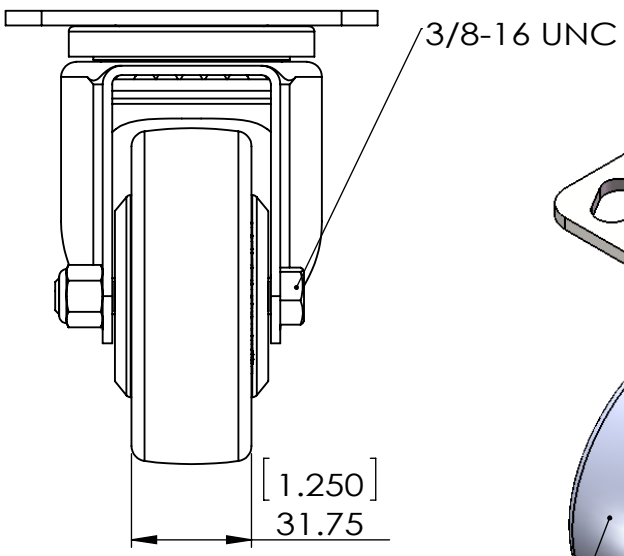
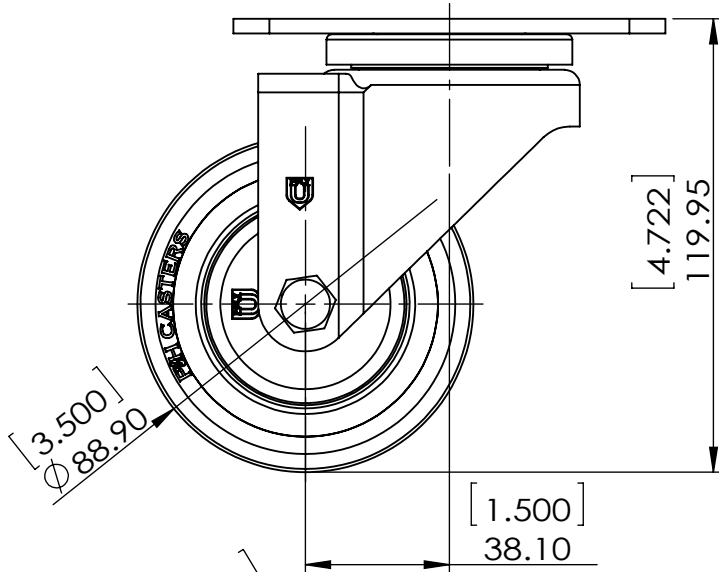
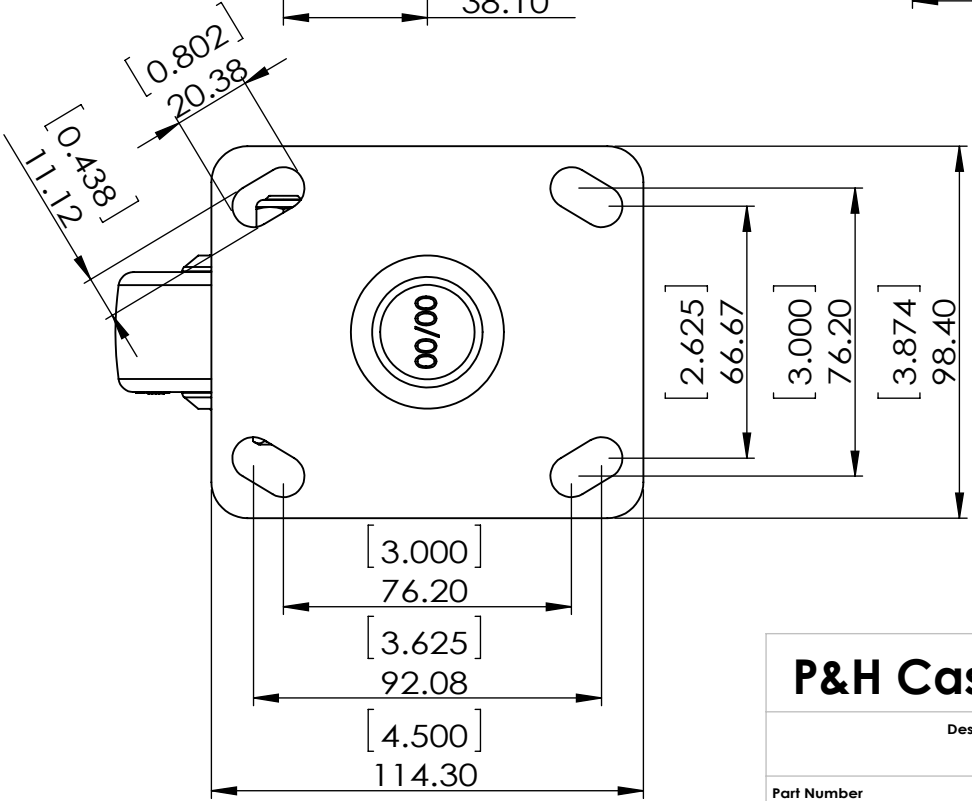


REV NO.	Revision Note	Signature	Date	Checked	Date



Durometer: Shore A 70 (+/-5)



Dimensions in mm [inch]

P&H Casters		Scale	1:2	Volume (mm ³)	Drawn By:	Date
Description		CASTER			Hua	2019/4/17
Part Number	Revision	Sheet	01	Date	Andy	 FIRST ANGLE PROJECTION
Z26P374NEKI	REV A			2019/4/17		