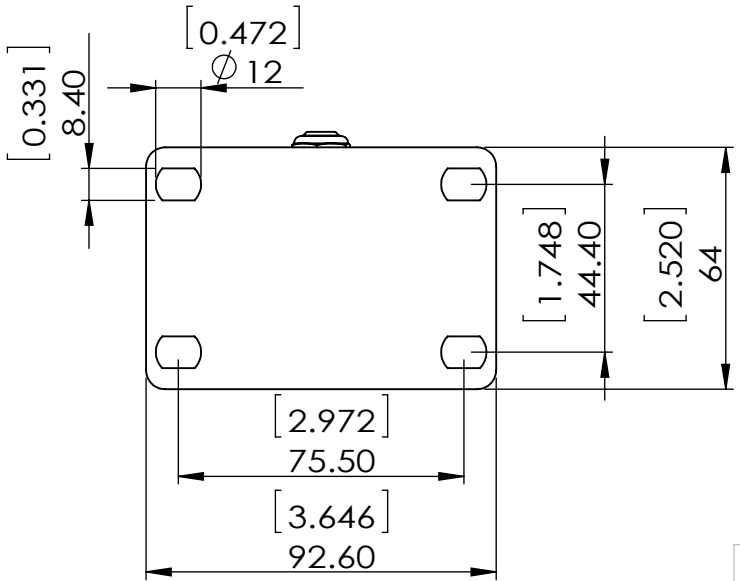
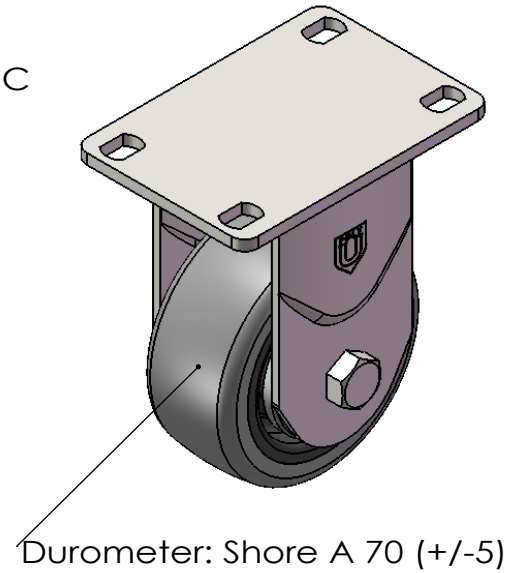
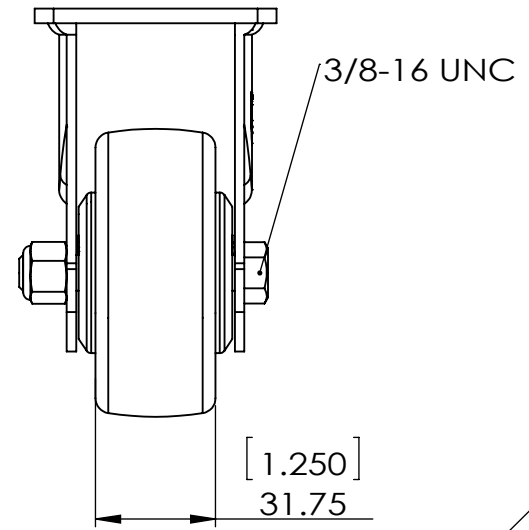
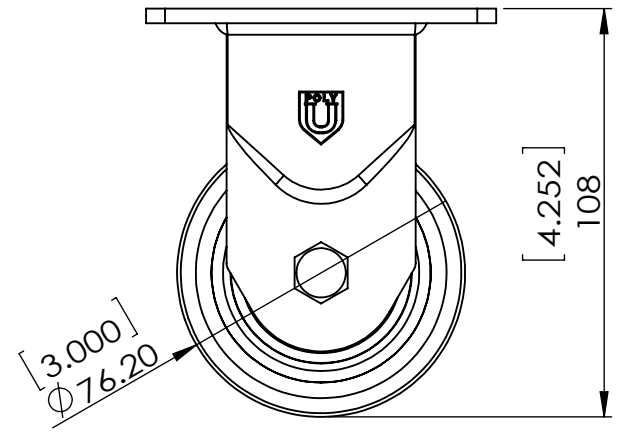


REV NO.	Revision Note	Signature	Date	Checked	Date



Dimensions in mm [inch]

P&H Casters		Scale 1:2	Volume (mm ³)	Drawn By: Hua	Date 2019/4/10
Description CASTER				Reviewed Andy	 FIRST ANGLE PROJECTION
Part Number Z27P134NEKI REV A	Revision	Sheet 01	Date 2019/4/10		