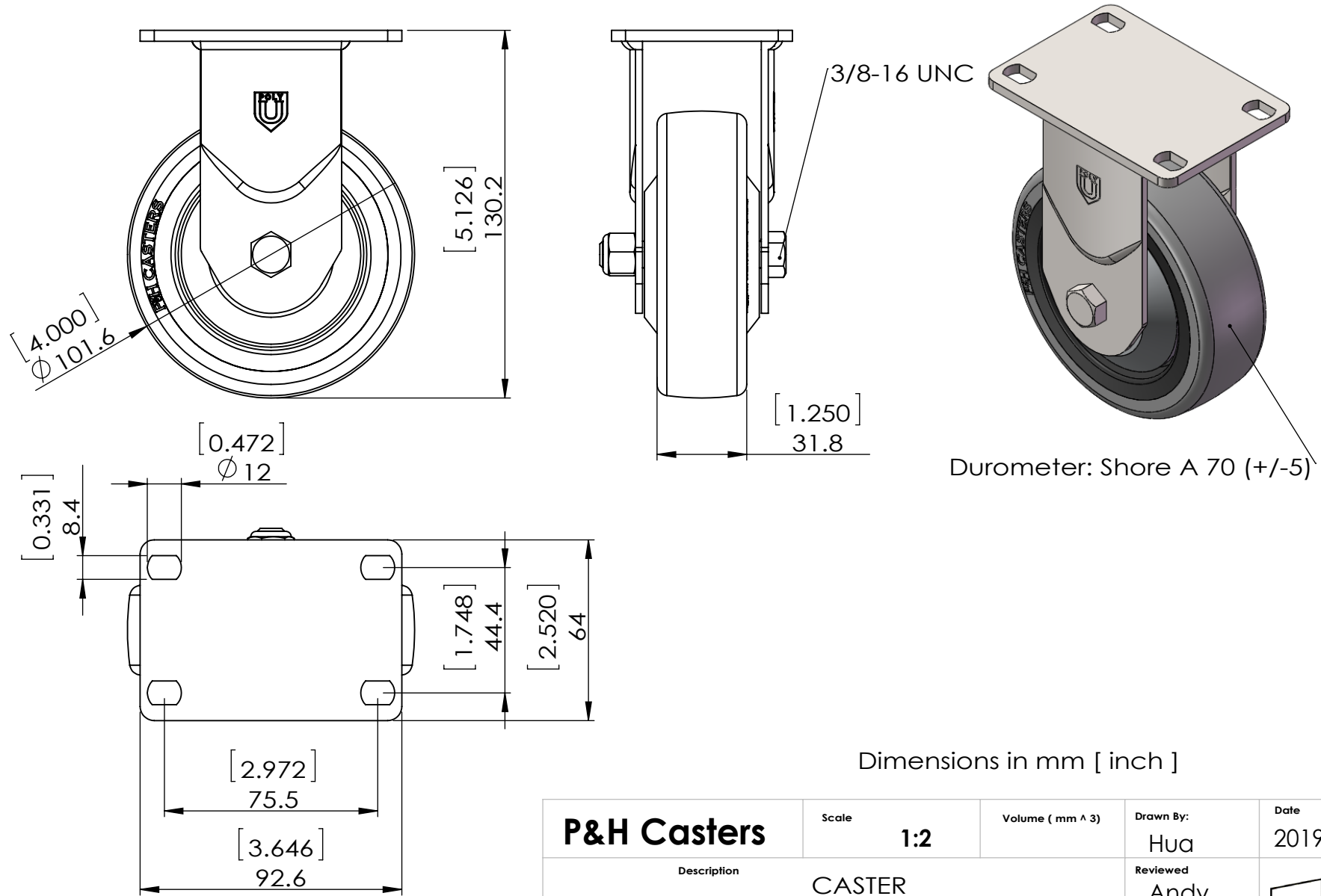
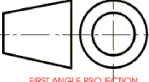


REV NO.	Revision Note	Signature	Date	Checked	Date



Dimensions in mm [ inch ]

<b>P&amp;H Casters</b>	Scale <b>1:2</b>	Volume ( mm <sup>3</sup> )	Drawn By: Hua	Date 2019/4/10
Description CASTER			Reviewed Andy	 <small>FIRST ANGLE PROJECTION</small>
Part Number Z27P144NEKI	Revision REV A	Sheet <b>01</b>	Date 2019/4/10	