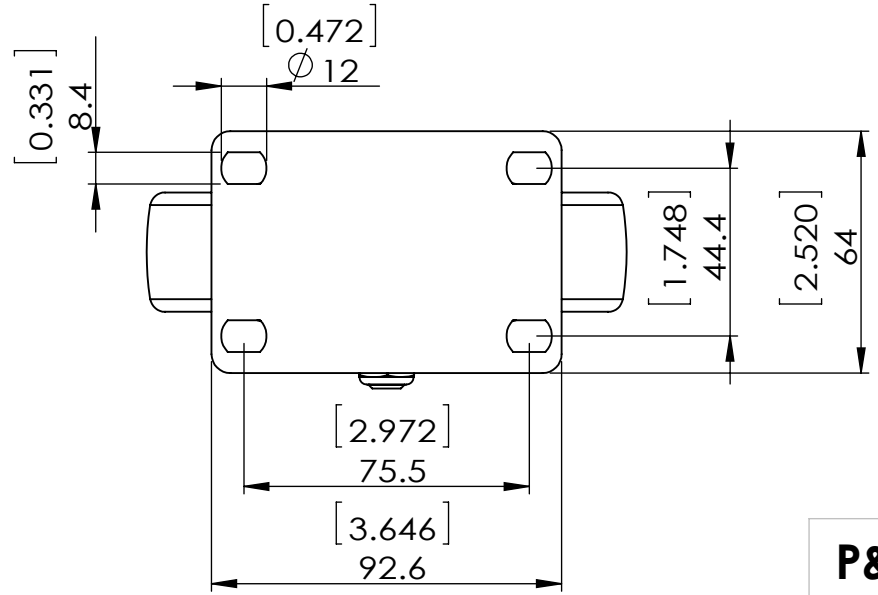
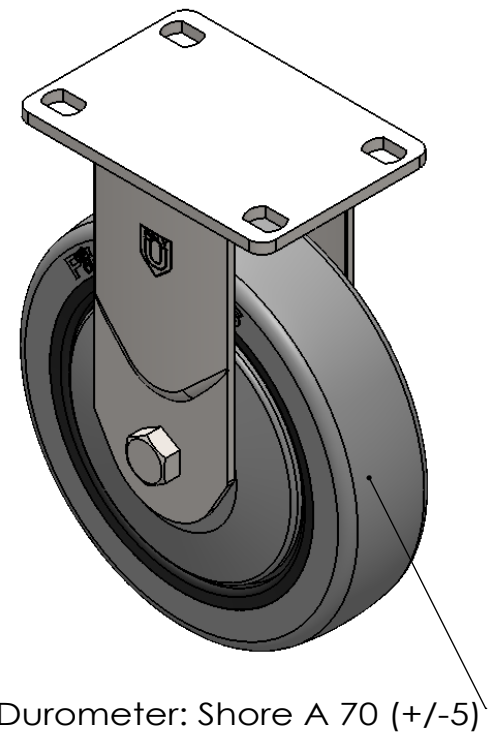
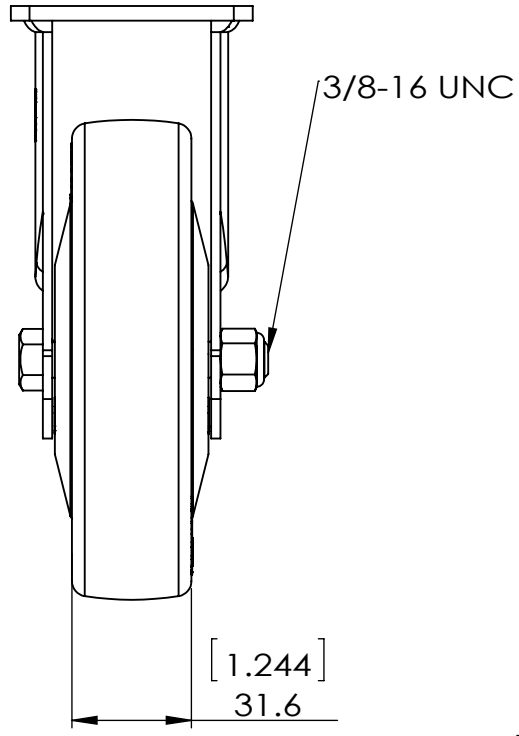
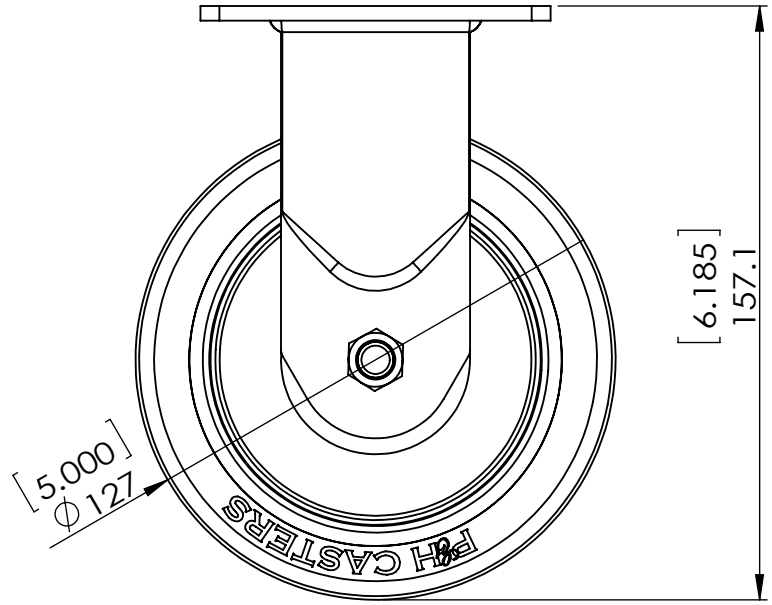


REV NO.	Revision Note	Signature	Date	Checked	Date



Dimensions in mm [ inch ]

<b>P&amp;H Casters</b>	Scale <b>1:2</b>	Volume ( mm ^ 3 )	Drawn By: Hua	Date 2019/4/10
Description CASTER	Revision	Reviewed Andy	Date 2019/4/10	
Part Number Z27P154NEKI REV A	Sheet <b>01</b>			