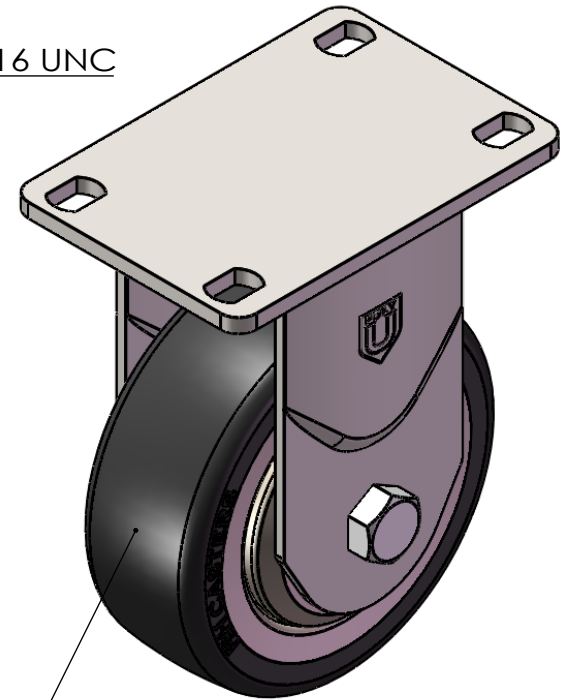
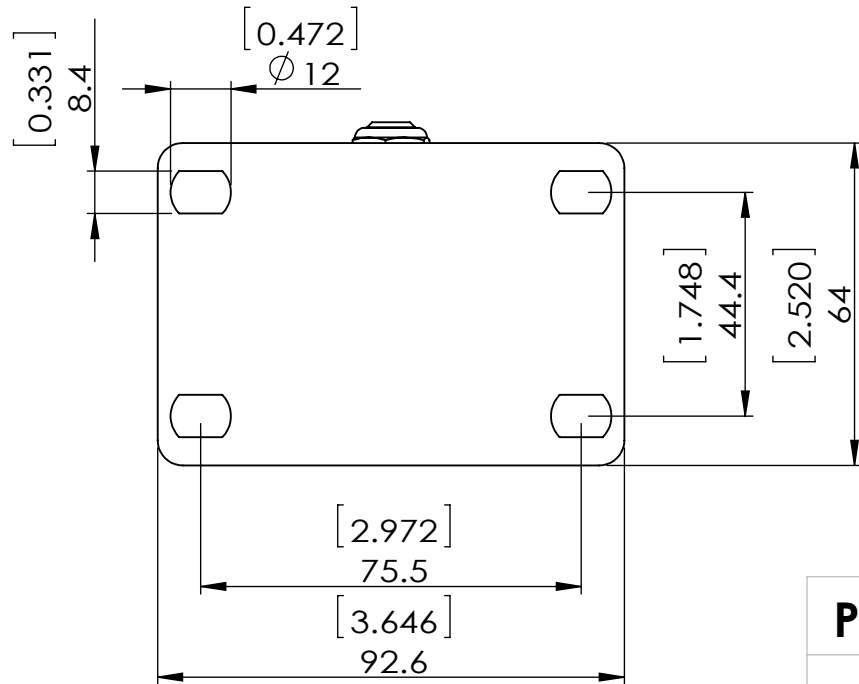


3/8-16 UNC



Durometer: Shore D 46 (+/-5)



Dimensions in mm [inch]

P&H Casters		Scale	1:1.5	Volume (mm ³)	Drawn By:	Date
Description		CASTER		Hua		2020/1/13
Part Number	Revision	Sheet	01	Date	Andy	 FIRST ANGLE PROJECTION
Z27P174CTKI	REV A			2020/1/13		