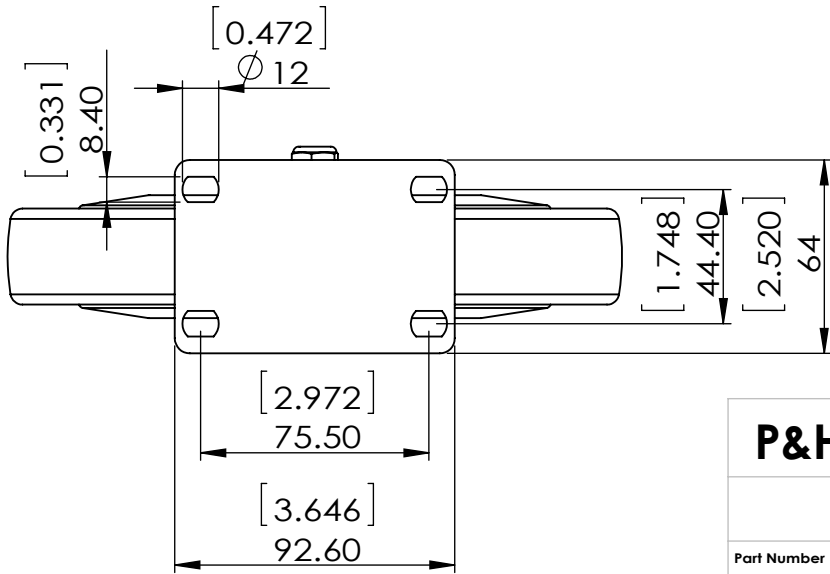
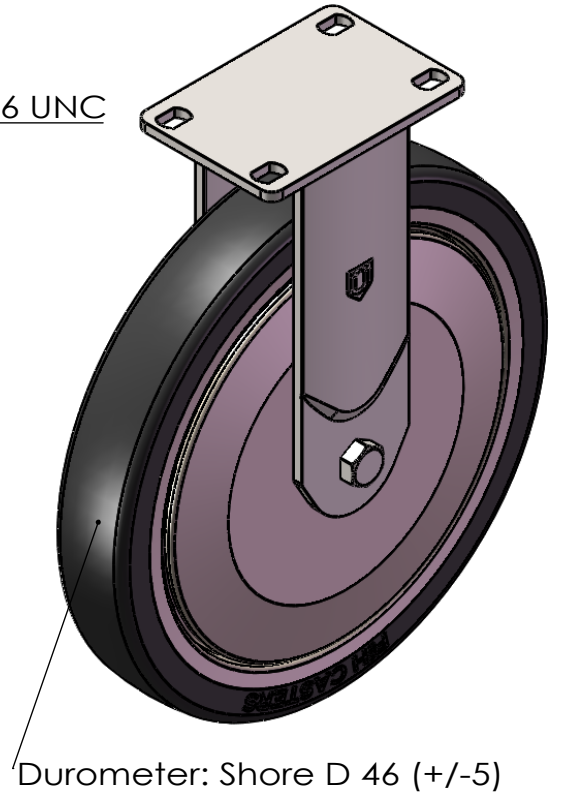
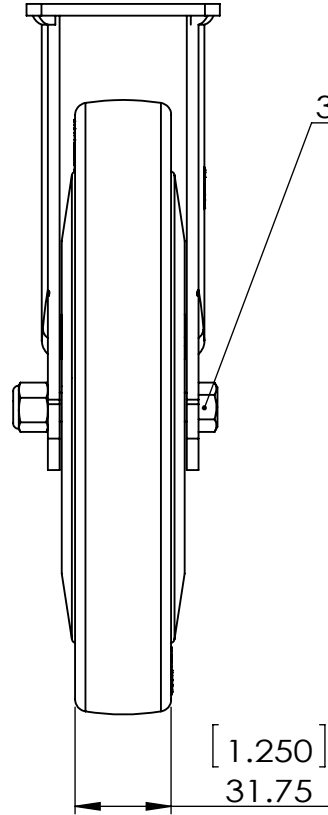
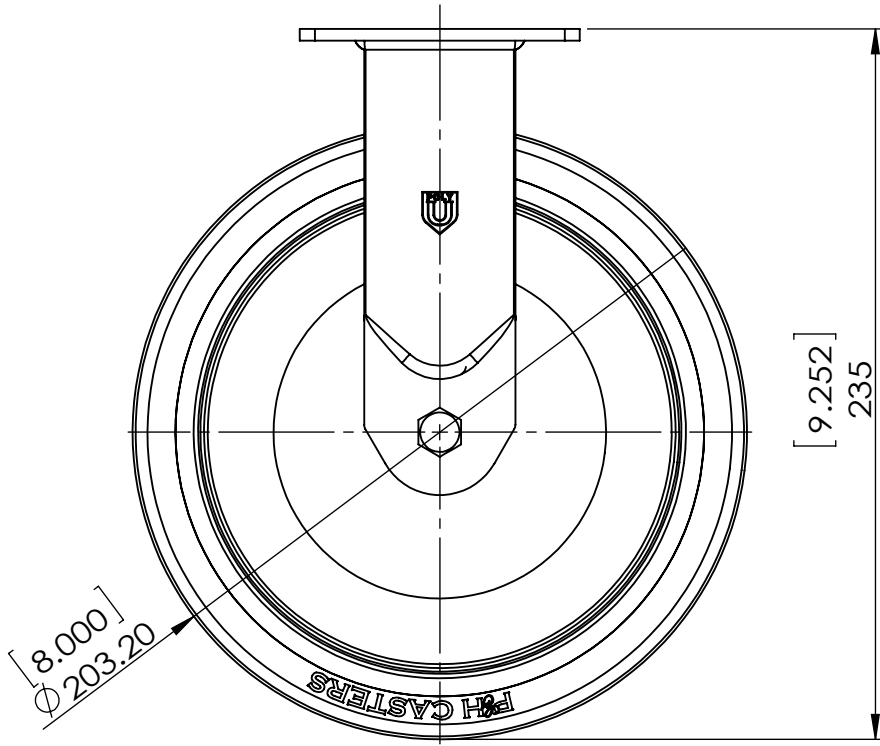


REV NO.	Revision Note	Signature	Date	Checked	Date



Dimensions in mm [inch]

P&H Casters		Scale	1:2.5	Volume (mm ^ 3)	Drawn By:	Date
Description		CASTER		Reviewed		Date
Part Number		Revision		Sheet		Date
Z27P184NEKH REV A				01		2019/4/25
				Hua		2019/4/25
				Andy		

