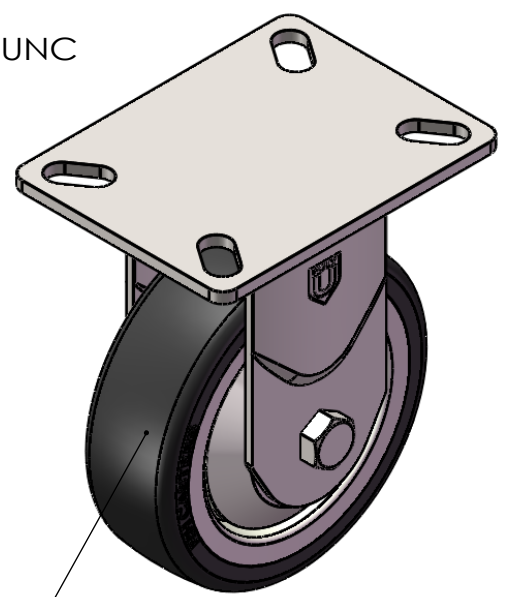
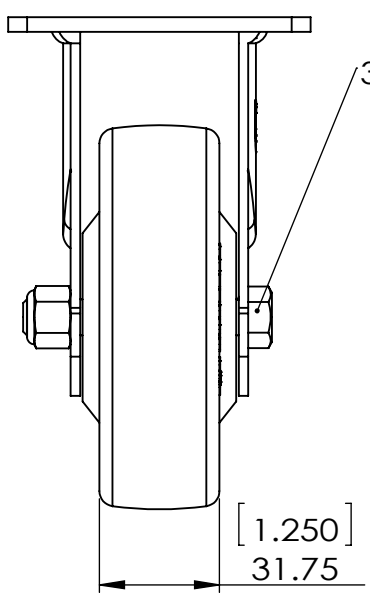
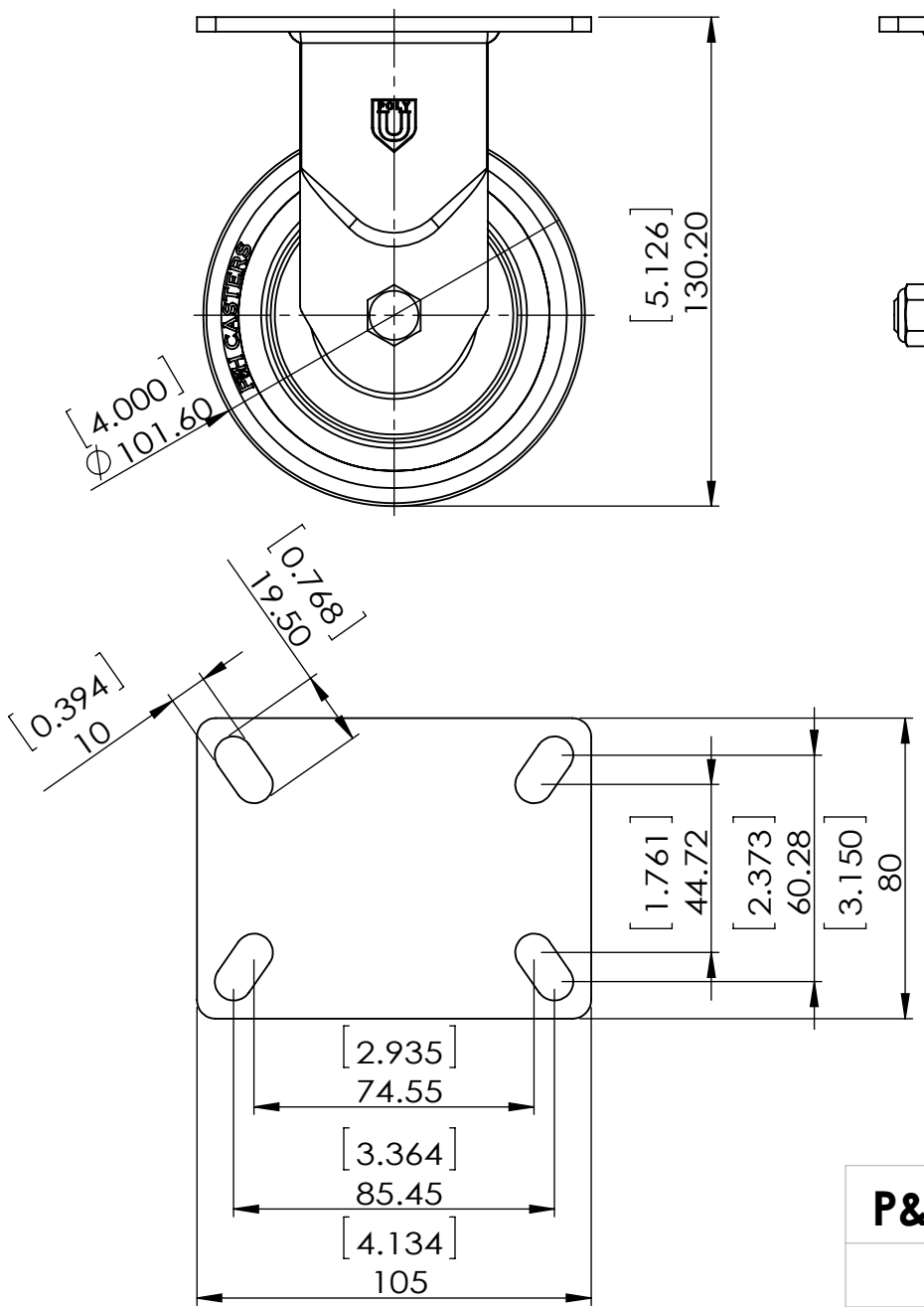


| REV NO. | Revision Note | Signature | Date | Checked | Date |
|---------|---------------|-----------|------|---------|------|
|         |               |           |      |         |      |



Durometer: Shore D 46 (+/-5)

Dimensions in mm [ inch ]

|                                  |          |                     |                   |                  |   |
|----------------------------------|----------|---------------------|-------------------|------------------|---|
| <b>P&amp;H Casters</b>           |          | Scale<br><b>1:2</b> | Volume ( mm ^ 3 ) | Drawn By:<br>Hua | Date<br>2019/4/18   |
| Description<br>CASTER            |          |                     |                   | Reviewed<br>Andy | <br>FIRST ANGLE PROJECTION |
| Part Number<br>Z27P244CTKI REV A | Revision | Sheet<br><b>01</b>  | Date<br>2019/4/18 |                  |   |