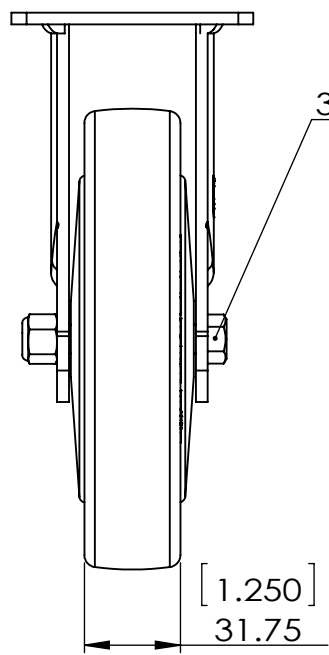
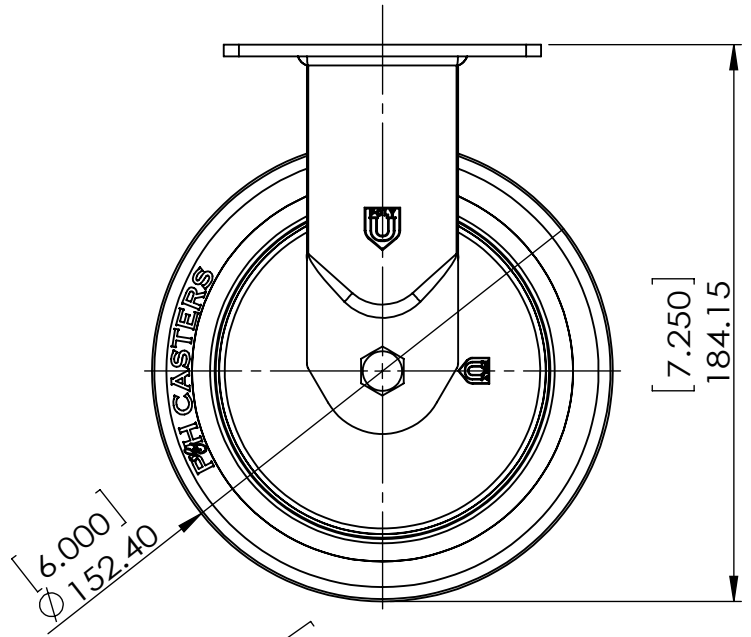
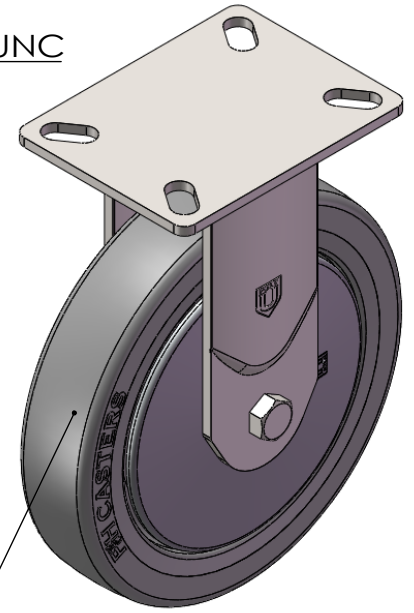


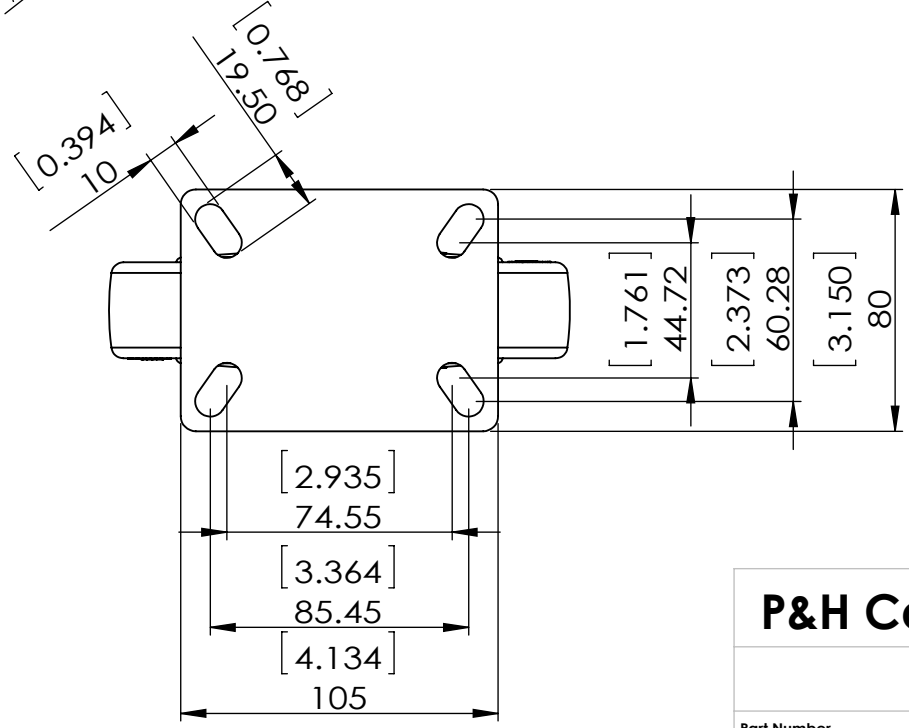
| REV NO. | Revision Note | Signature | Date | Checked | Date |
|---------|---------------|-----------|------|---------|------|
| | | | | | |



3/8-16 UNC



Durometer: Shore A 70 (+/-5)



Dimensions in mm [inch]

| | | | | | | |
|------------------------|----------|--------|--------------|-------------------|-----------|---|
| P&H Casters | | Scale | 1:2.5 | Volume (mm ^ 3) | Drawn By: | Date |
| Description | | CASTER | | | Hua | 2019/4/23 |
| Part Number | Revision | Sheet | 01 | Date | Andy | 2019/4/23 |
| Z27P264NEKH REV A | | | | | |  FIRST ANGLE PROJECTION |