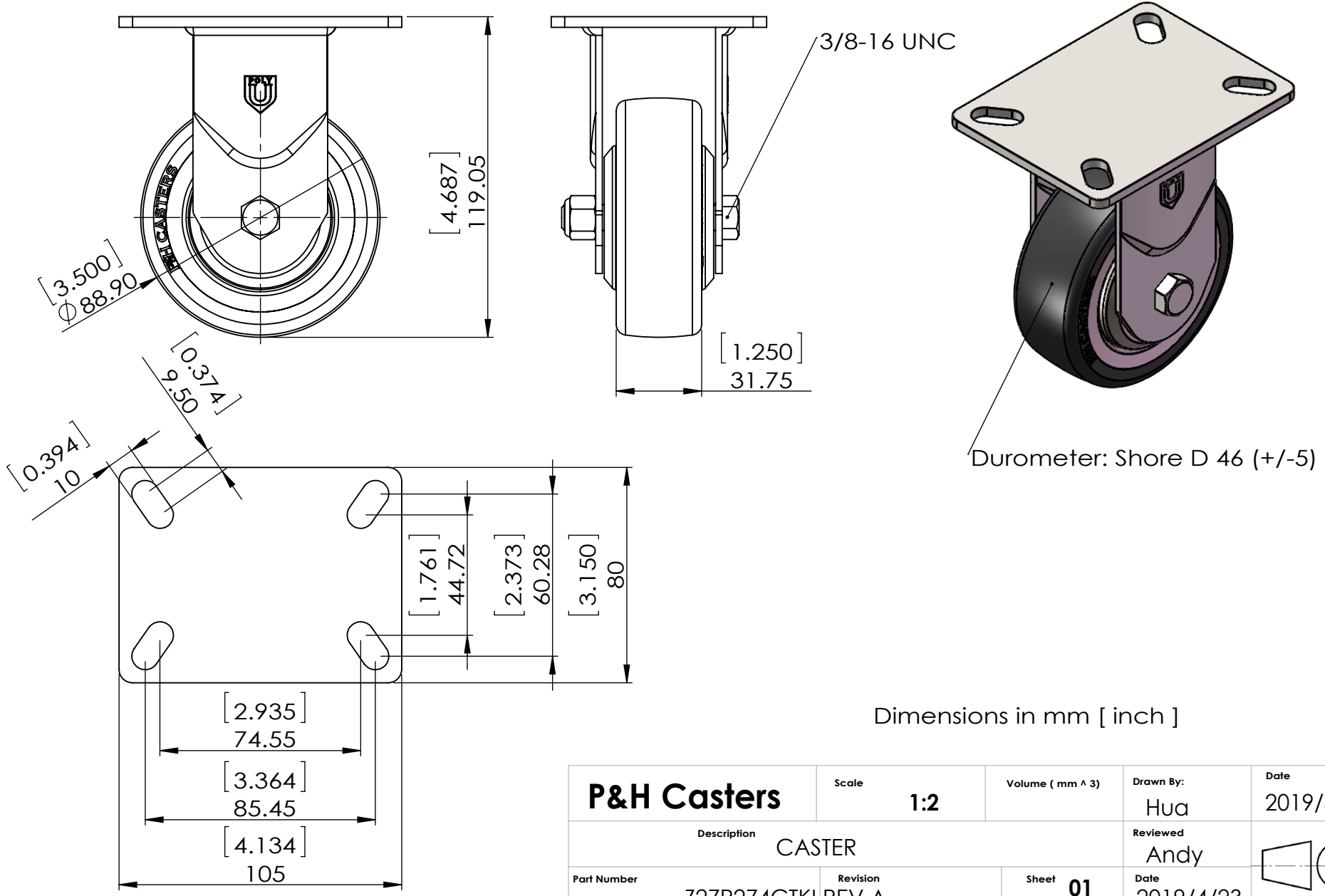


REV NO.	Revision Note	Signature	Date	Checked	Date



Dimensions in mm [inch]

P&H Casters		Scale	1:2	Volume (mm [^] 3)	Drawn By:	Date
Description		CASTER		Reviewed	Andy	2019/4/23
Part Number	Revision	Sheet	01	Date	2019/4/23	 FIRST ANGLE PROJECTION
Z27P274CTKI	REV A					