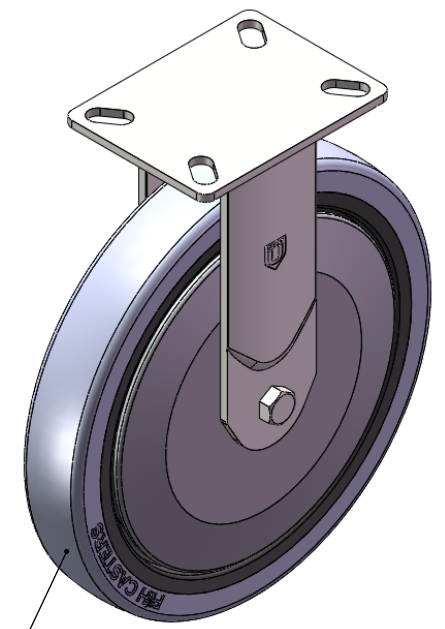
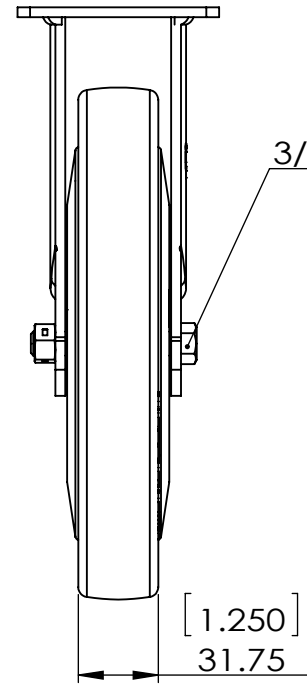
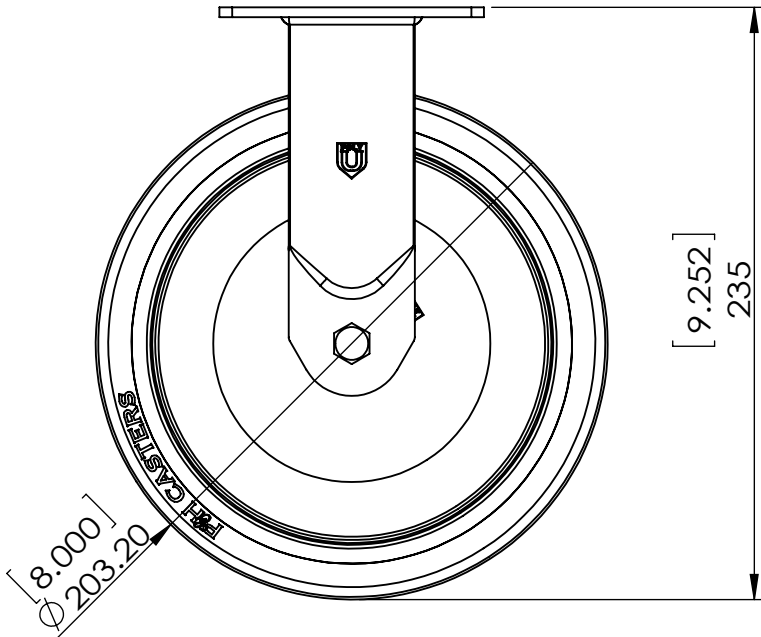
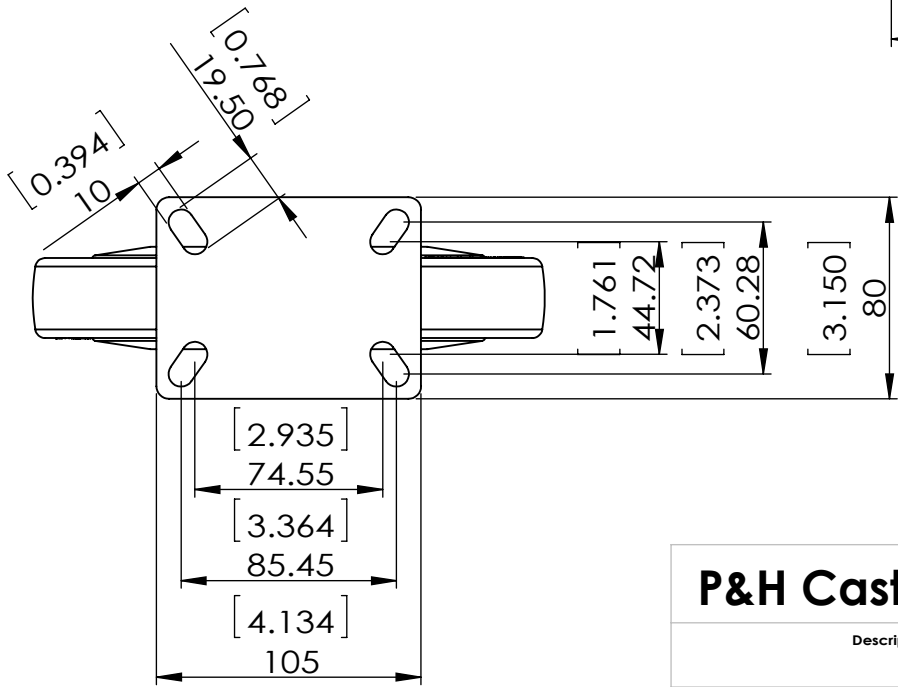


REV NO.	Revision Note	Signature	Date	Checked	Date



Durometer: Shore A 70 (+/-5)



Dimensions in mm [ inch ]

<b>P&amp;H Casters</b>		Scale	<b>1:3</b>	Volume ( mm ^ 3 )	Drawn By:	Date
Description		CASTER			Hua	2019/5/16
Part Number	Revision	Sheet	<b>01</b>	Date	Andy	 FIRST ANGLE PROJECTION
Z27P284NEKH	REV A			2019/5/16		