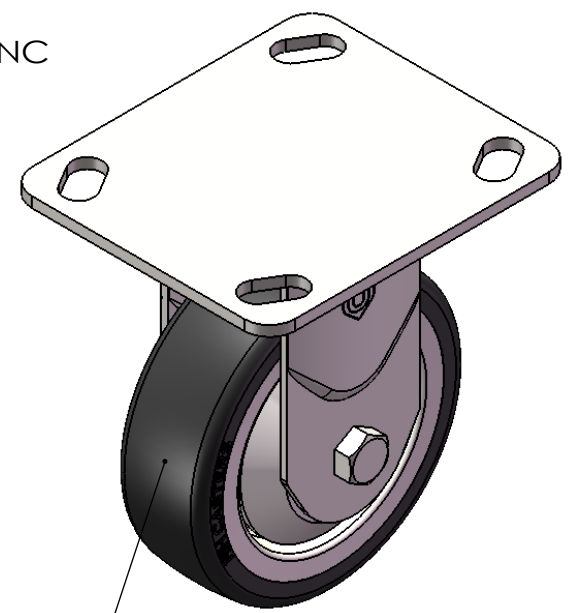
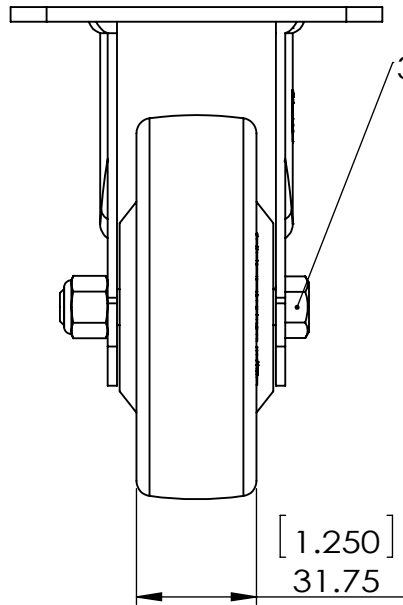
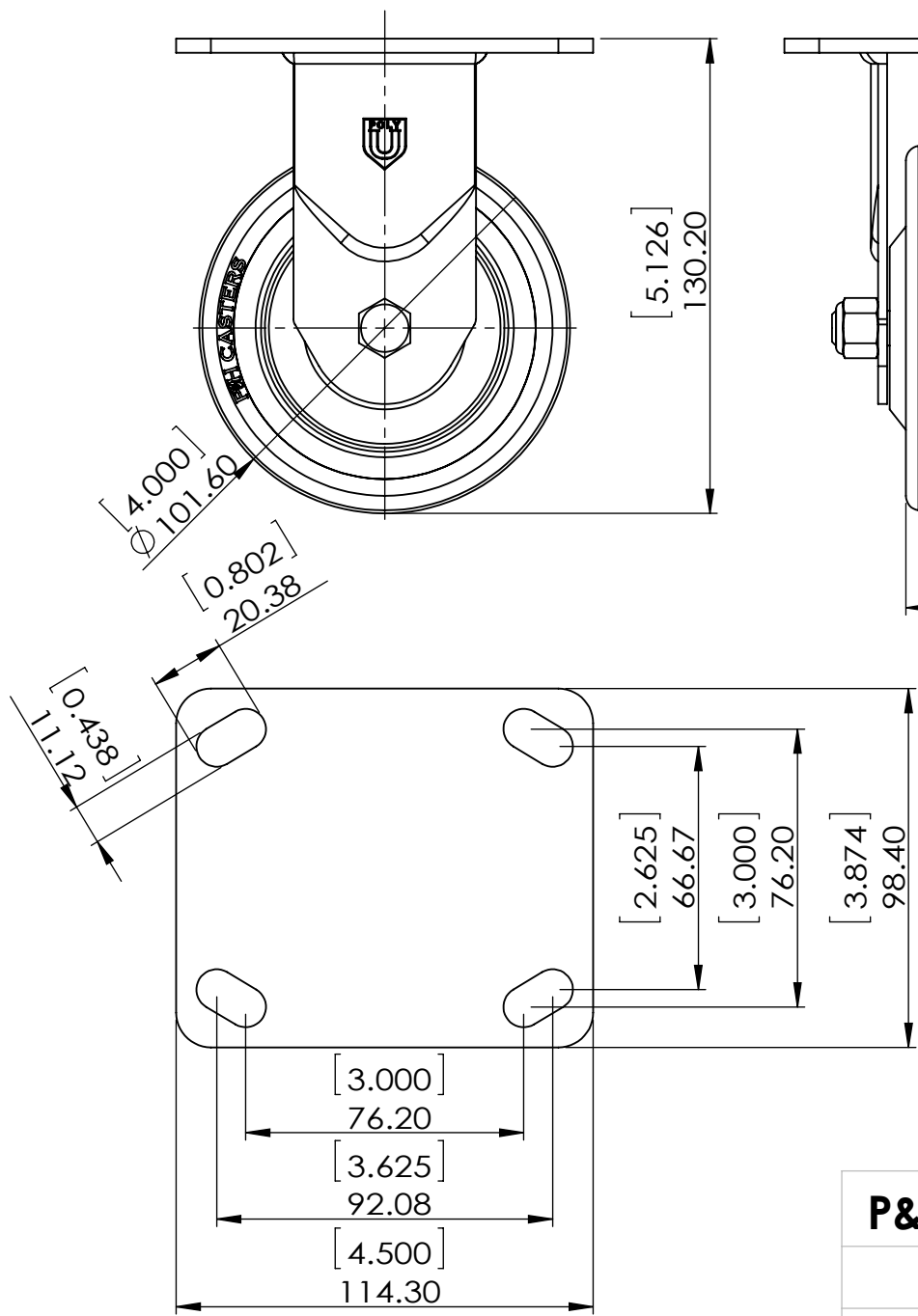


REV NO.	Revision Note	Signature	Date	Checked	Date



Durometer: Shore D 46 (+/-5)

Dimensions in mm [ inch ]

<b>P&amp;H Casters</b>		Scale	<b>1:2</b>	Volume ( mm <sup>3</sup> )	Drawn By:	Date
Description		CASTER		Reviewed	Hua	2019/4/16
Part Number	Revision	Sheet	01	Date	Andy	2019/4/16
Z27P344CTKI REV A						 FIRST ANGLE PROJECTION