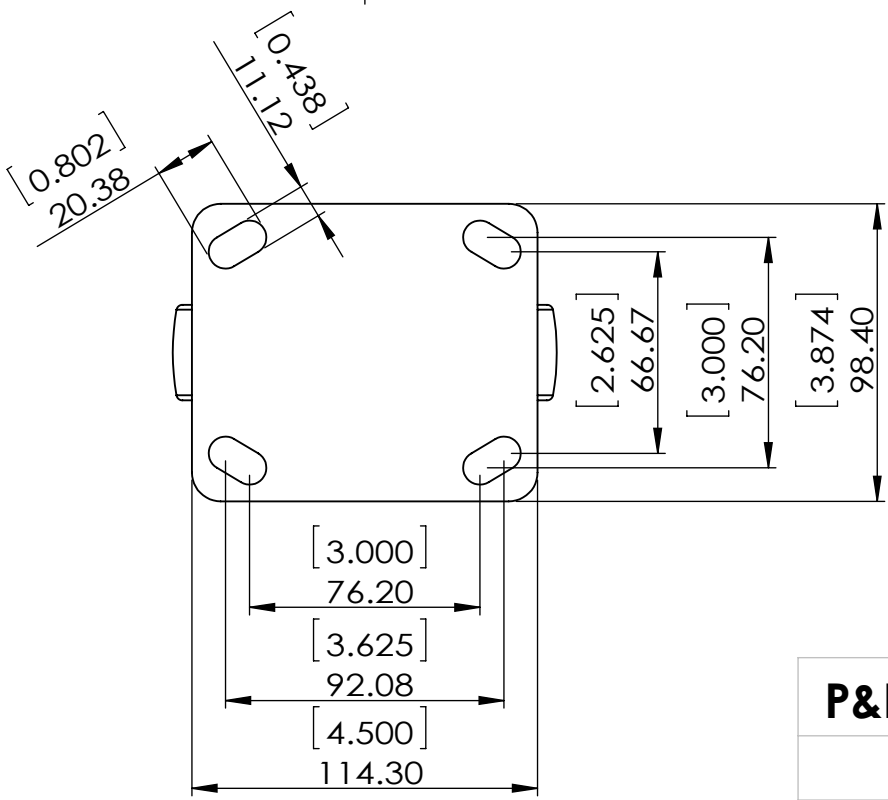
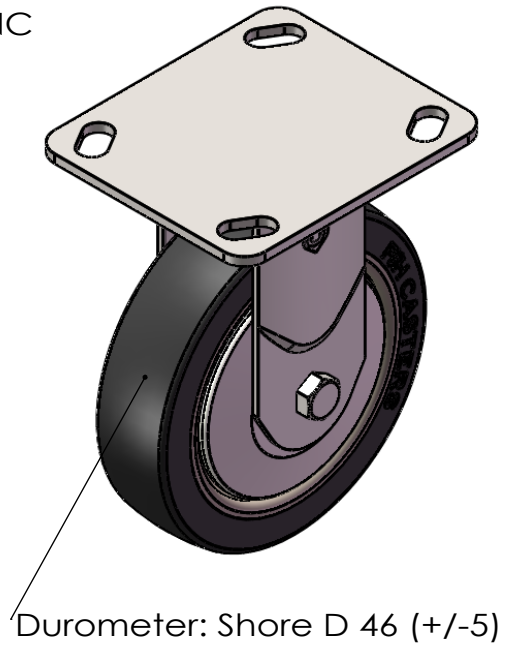
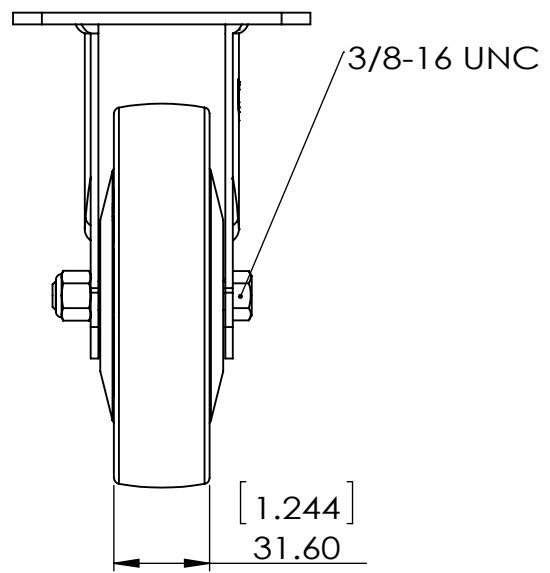
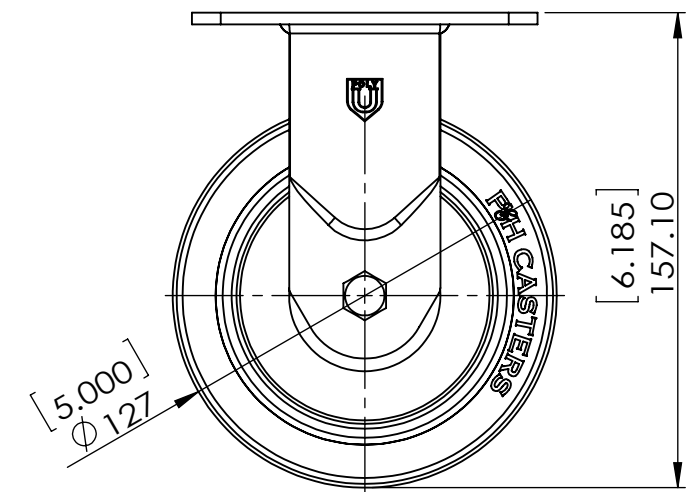


REV NO.	Revision Note	Signature	Date	Checked	Date



Dimensions in mm [inch]

P&H Casters		Scale	1:2.5	Volume (mm ^ 3)	Drawn By:	Date
Description		CASTER		Reviewed	Hua	2019/4/16
Part Number	Revision	Sheet	01	Date	Andy	2019/4/16
Z27P354CTKI REV A						 FIRST ANGLE PROJECTION