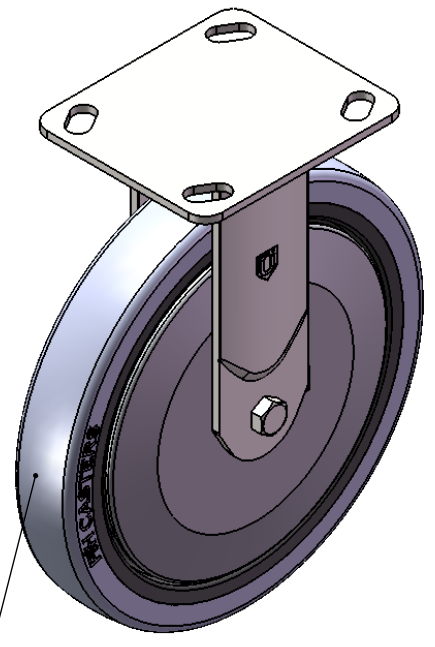
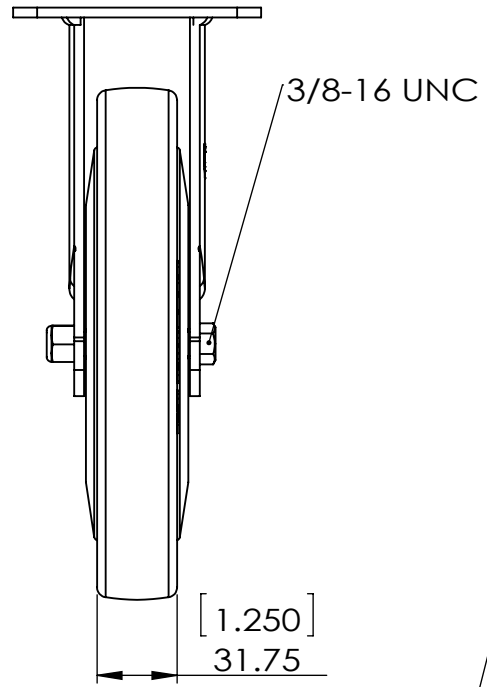
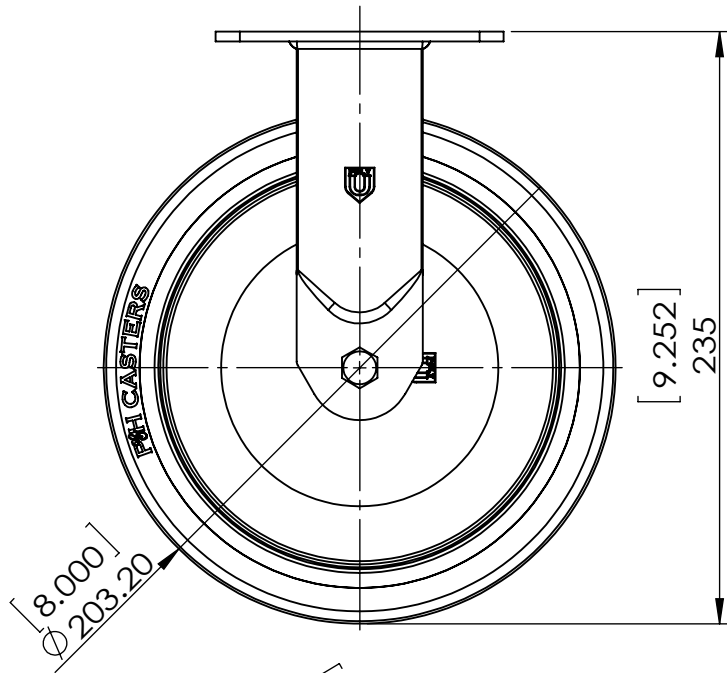
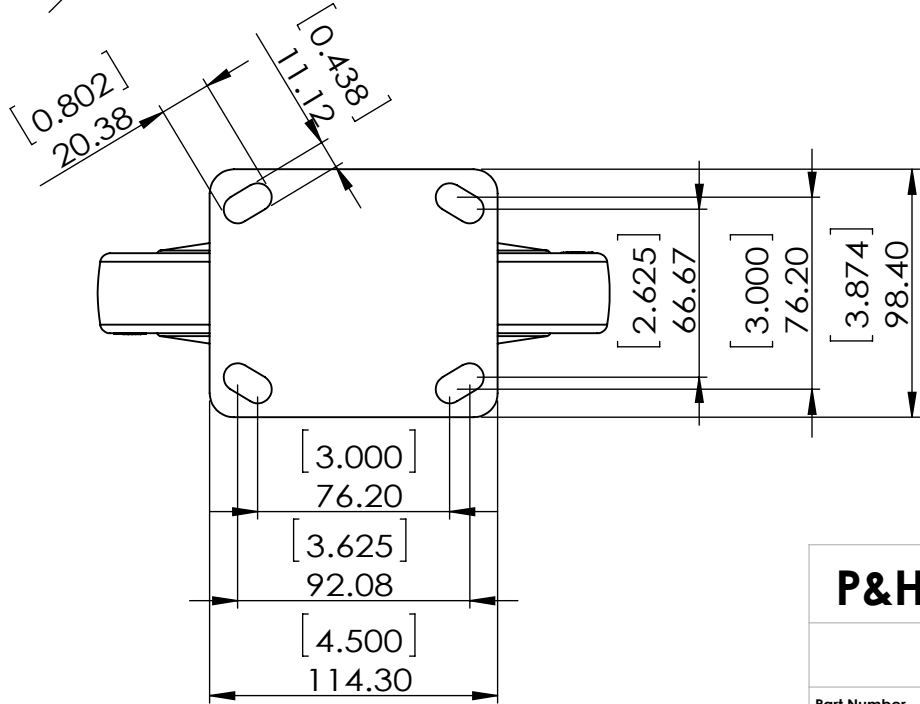


REV NO.	Revision Note	Signature	Date	Checked	Date



Durometer: Shore A 70 (+/-5)



Dimensions in mm [inch]

P&H Casters		Scale 1:3	Volume (mm ^ 3)	Drawn By: Hua	Date 2019/4/12
Description CASTER			Reviewed Andy		
Part Number Z27P384NEKH REV A	Revision	Sheet 01	Date 2019/4/12		