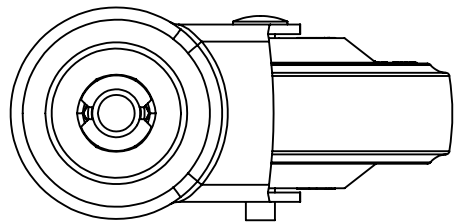
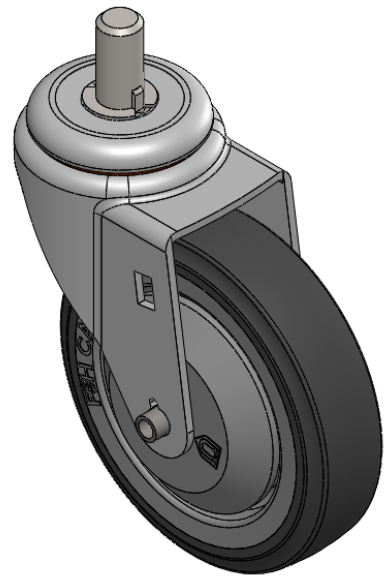
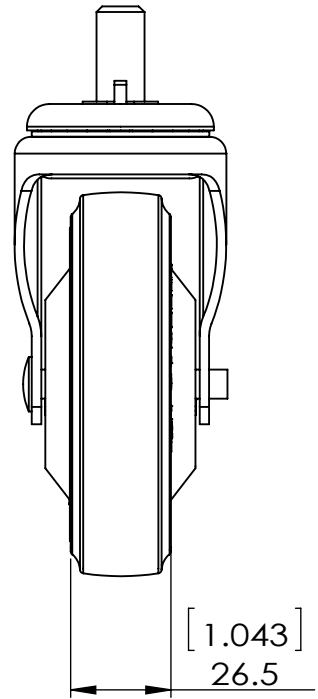
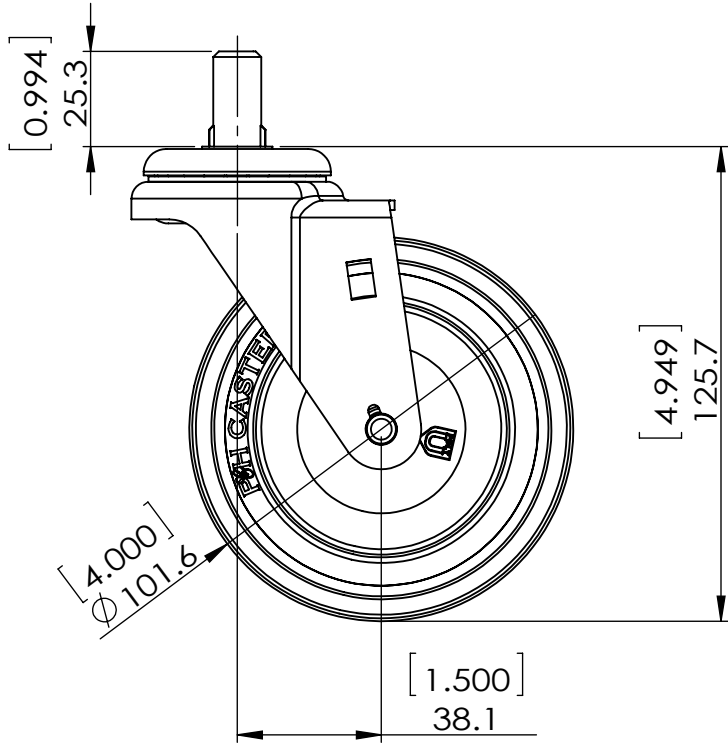


REV NO.	Revision Note	Signature	Date	Checked	Date



P&H Casters		Scale	1:2	Volume (mm ^ 3)	Drawn By:	Date
Description		CASTER		Reviewed	Hua	2018/9/25
Part Number	Revision	Sheet	01	Date	Andy	2018/9/25
Z30C144CGDC REV A						 FIRST ANGLE PROJECTION

THE INFORMATION CONTAINED IN THIS DRAWING IS CONFIDENTIAL AND SOLE PROPERTY OF P&H CASTERS CO. ANY REPRODUCTION IN PART OR AS A WHOLE WITHOUT THE WRITTEN PERMISSION OF P&H CASTERS IS PROHIBITED.