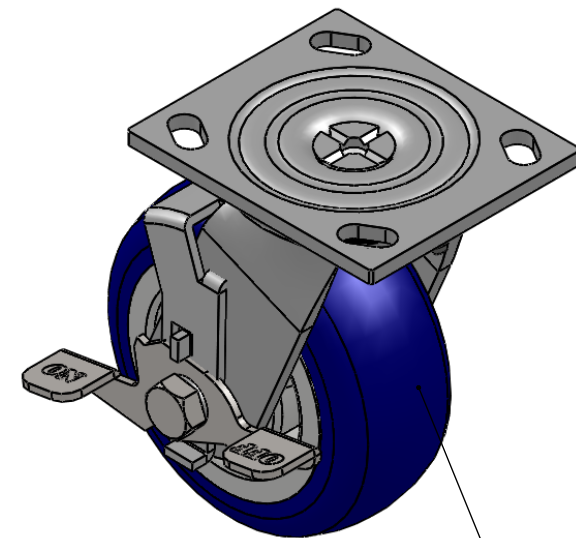
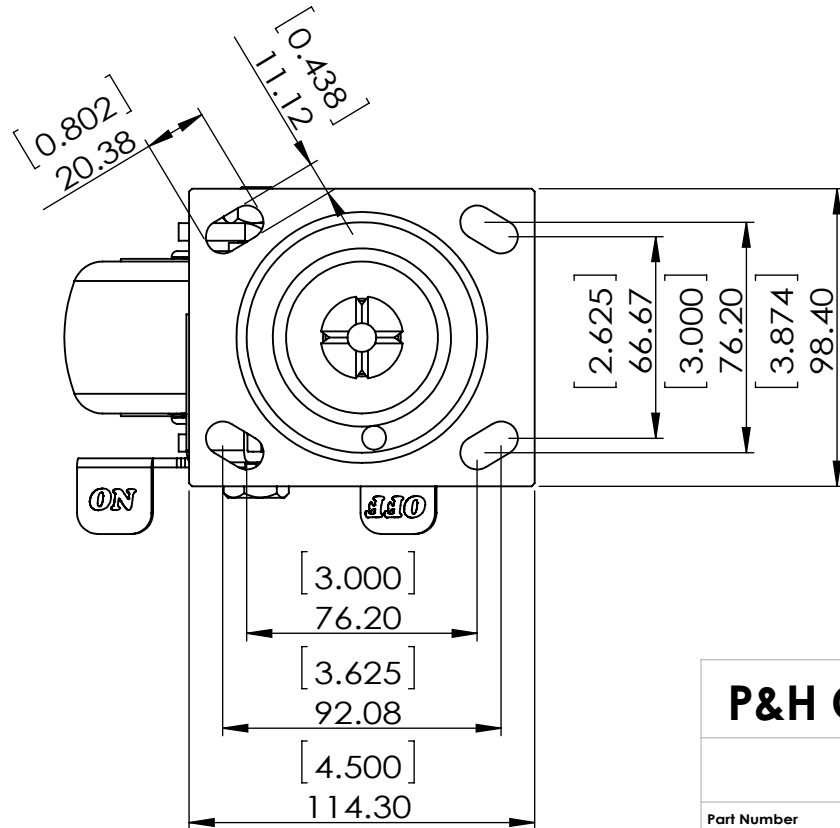


1/2-13 UNC



Durometer: Shore D 46 (+/-5)



Dimensions in mm [ inch ]

<b>P&amp;H Casters</b>	Scale <b>1:2.5</b>	Volume ( mm ^ 3 )	Drawn By: Hua	Date 2019/5/13
Description CASTER			Reviewed Andy	<p>FIRST ANGLE PROJECTION</p>
Part Number Z40P352CLPLB REV A	Revision	Sheet <b>01</b>	Date 2019/5/13	