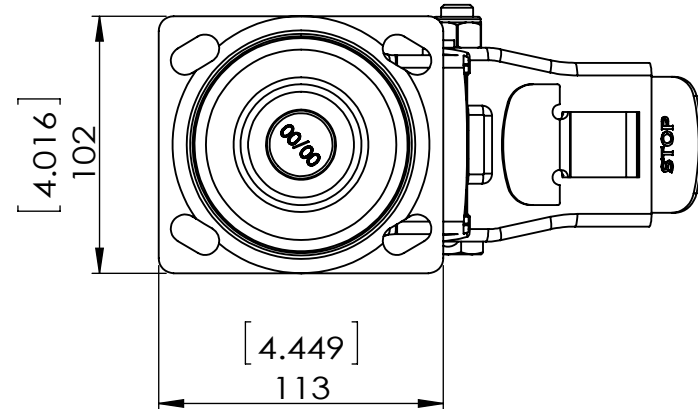


Durometer: Shore D 46 (+/-5)



Dimensions in mm [inch]

P&H Casters		Scale 1:3	Volume (mm ^ 3)	Drawn By: Ronny	Date 2019/5/27
Description CASTER				P&H Approval	
Part Number Z40P362CLPLT9 REV A	Revision	Sheet 01	Date	<p>FIRST ANGLE PROJECTION</p>	