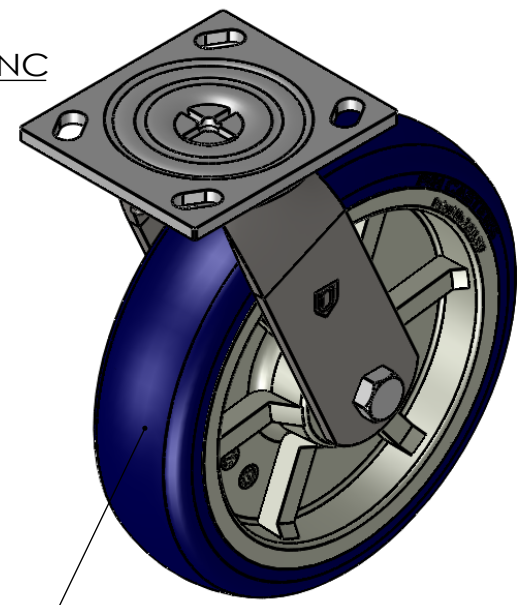


1/2-13 UNC



Durometer: Shore D 46 (+/-5)

Dimensions in mm [inch]

P&H Casters		Scale 1:3	Volume (mm ^ 3)	Drawn By: Hua	Date 2019/9/16
Description CASTER				Reviewed Andy	 <small>FIRST ANGLE PROJECTION</small>
Part Number Z40P382CLPL REV A	Revision	Sheet 01	Date 2019/9/16		