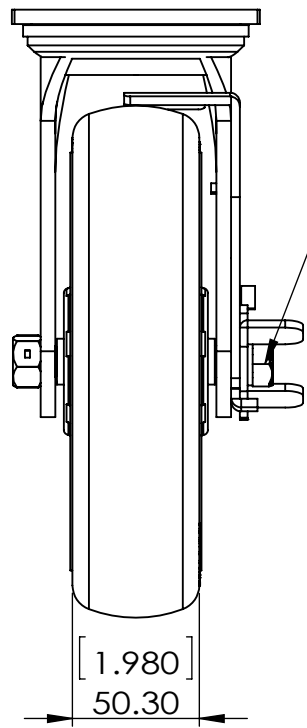
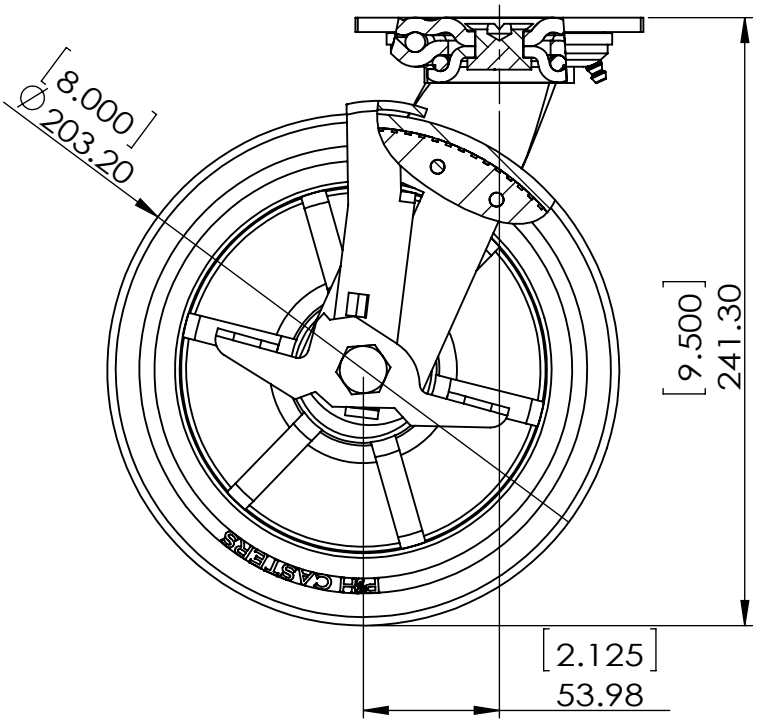
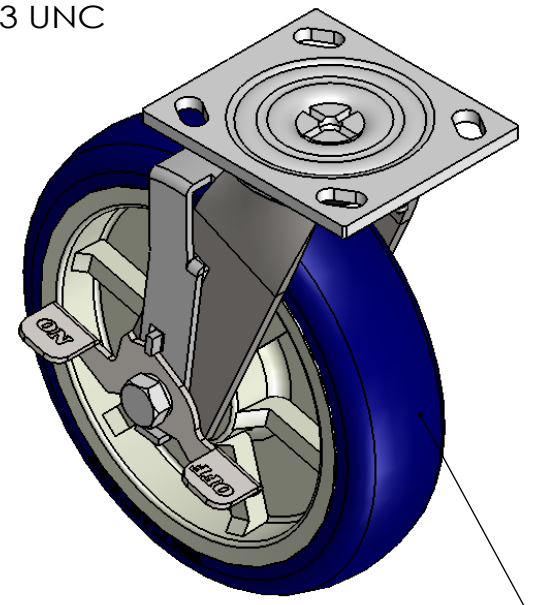


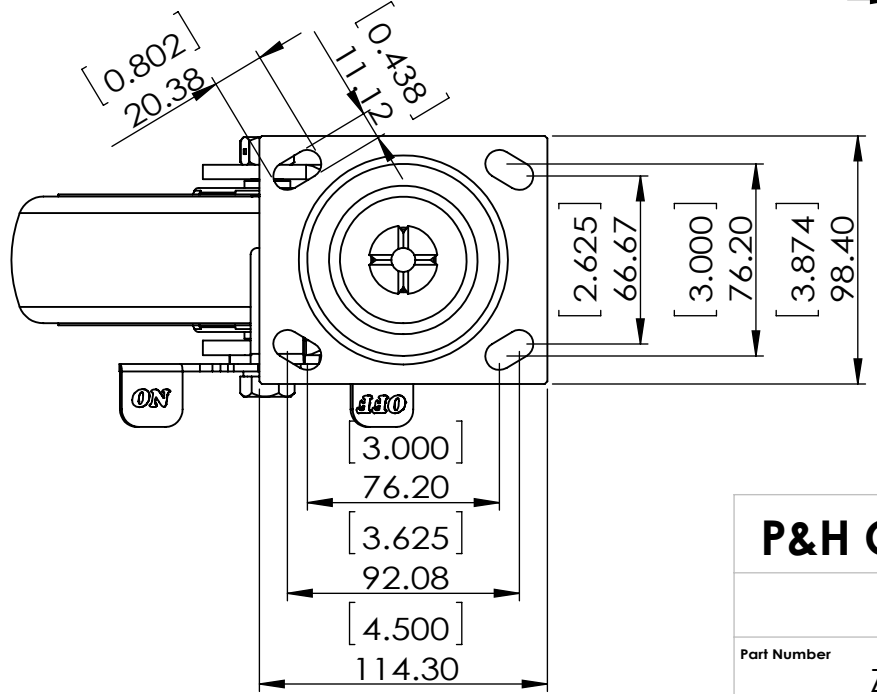
REV NO.	Revision Note	Signature	Date	Checked	Date



1/2-13 UNC



Durometer: Shore D 46 (+/-5)



Dimensions in mm [inch]

P&H Casters		Scale	1:3	Volume (mm ^ 3)	Drawn By:	Date
Description		CASTER		Reviewed	Hua	2019/5/13
Part Number	Revision	Sheet	01	Date	Andy	2019/5/13
Z40P382CLPLB REV A						 FIRST ANGLE PROJECTION