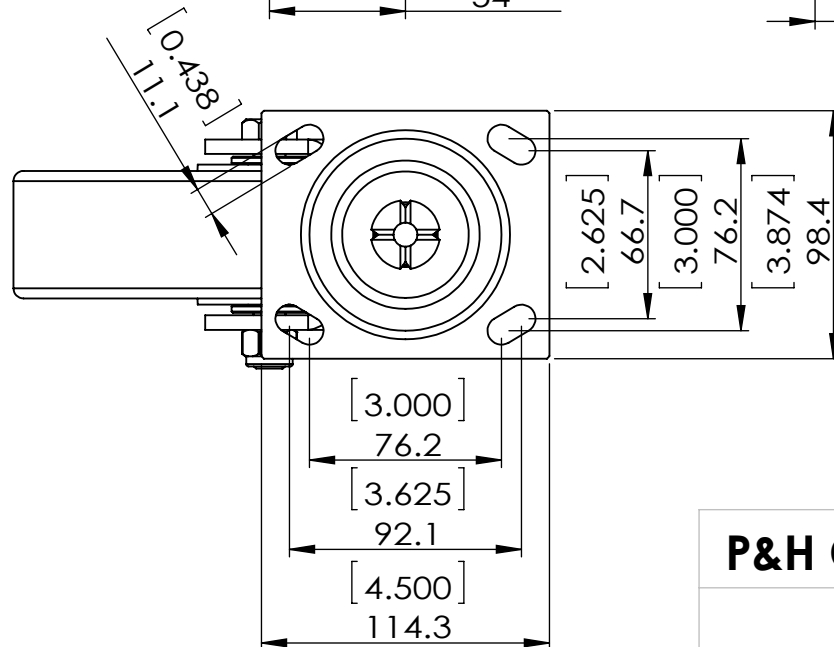


Durometer: Shore D 46 (+/-5)



Dimensions in mm [inch]

P&H Casters		Scale 1:3	Volume (mm [^] 3)	Drawn By: Hua	Date 2020/6/5
Description CASTER				Reviewed Andy	 FIRST ANGLE PROJECTION
Part Number Z40P382ZPUL	Revision REV A	Sheet 01	Date 2020/6/5		