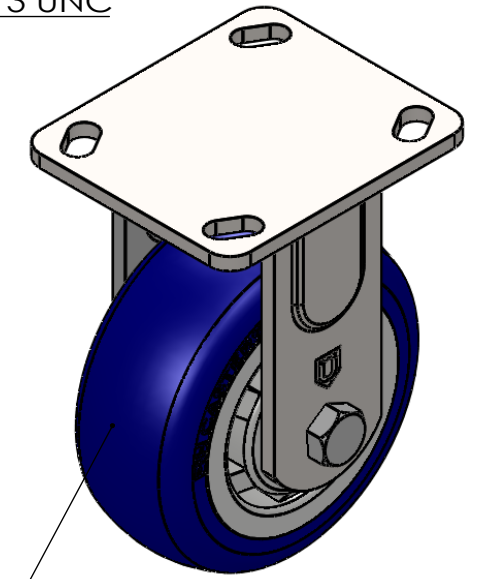
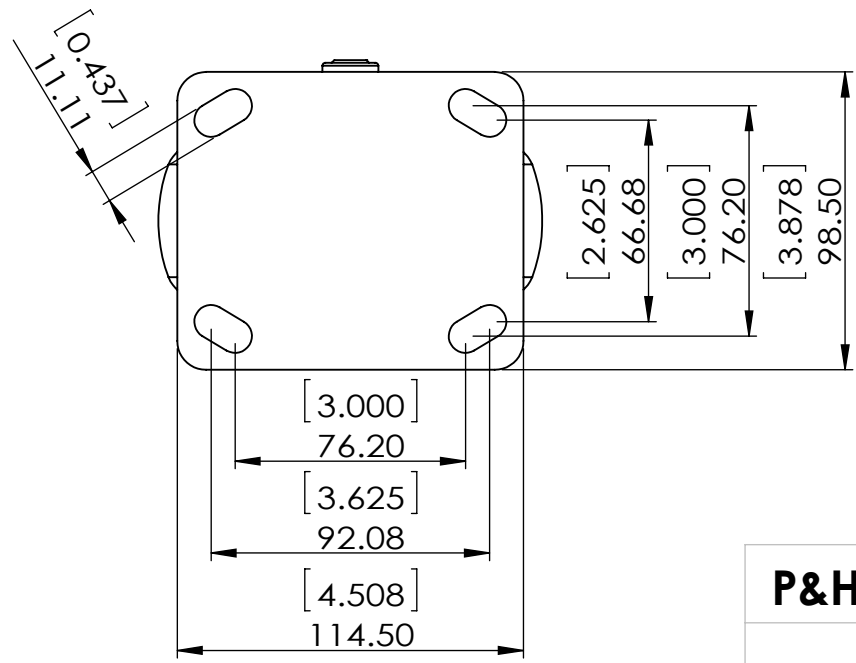


1/2-13 UNC



Durometer: Shore D 46 (+/-5)



Dimensions in mm [ inch ]

<b>P&amp;H Casters</b>		Scale	<b>1:2.5</b>	Volume ( mm ^ 3 )	Drawn By:	Date
Description		CASTER			Hua	2019/9/11
Part Number	Revision	Sheet	<b>01</b>	Date	Andy	 FIRST ANGLE PROJECTION
Z42P352CLPL	REV A			2019/9/11		